

# State of Nebraska - INVITATION TO BID CONTRACT

<b>Date</b>	11/22/22	<b>Page</b>	1 of 3
<b>Solicitation Number</b>	6742 OF		
<b>Opening Date and Time</b>	12/13/22	2:00 pm	
<b>Buyer</b>	CHRISTIE KELLY (AS)		

**DESTINATION OF GOODS**  
 DEPARTMENT OF TRANSPORTATION  
 5001 S 14TH ST  
 PO BOX 94759  
 LINCOLN NE 68509-4759

Per Nebraska's Transparency in Government Procurement Act, DAS is required to collect statistical information regarding the number of contracts awarded to Nebraska contractors. This information is for statistical purposes only and will not be considered for contract award purposes.

**NEBRASKA CONTRACTOR AFFIDAVIT:** Bidder hereby attests that bidder is a Nebraska Contractor. "Nebraska Contractor" shall mean any bidder who has maintained a bona fide place of business and at least one employee within this state for at least the six (6) months immediately preceding the posting date of this ITB.

\_\_\_\_\_ I hereby certify that I am a Resident disabled veteran or business located in a designated enterprise zone in accordance with Neb. Rev. Stat. §73-107 and wish to have preference, if applicable, considered in the award of this contract.

Contract to supply and deliver Articulated All Wheel Drive Loader with Minimum 2.2 Cubic Yard Bucket to the State of Nebraska as per the attached specifications for a one (1) year period from date of award. The contract may be renewed for four (4) additional one (1) year periods when mutually agreeable to the vendor and the State of Nebraska.

(11/21/22 sc)

## INVITATION

Line	Description	Quantity	Unit of Measure	Unit Price	Extended Price
1	<b>ARTICULATED AWD LOADER WITH MINIMUM 2.2 CY BUCKET</b>	5.0000	EA	<u>\$160,417.07</u>	<u>\$802,085.35</u>
	BRAND: <u>Doosan</u>				
	MODEL NAME/NUMBER: <u>DL220-7 US10</u>				
	OPTIONS: Additional Counterweight, 110V Plug Heater, Load Isolation System, Additional Brake Pedal, Roof Cover, Michelin XTLA 20.5R25 Tires, Steel Front Fender with Rubber Protector				
2	<b>QUICK HITCH WITH SPECIFIED BUCKET</b>	5.0000	EA	<u>\$16,592.63</u>	<u>\$82,963.15</u>

### BIDDER MUST COMPLETE THE FOLLOWING

DISCOUNT PAYMENT TERMS: 0 % 30 DAYS **Payment Terms 100%/30 Days**

By signing this Invitation to Bid form, the bidder guarantees compliance with the provisions stated in this Invitation to Bid, agrees to the terms and conditions unless otherwise agreed to and certifies that bidder maintains a drug free work place environment. Vendor will furnish the items requested within 180 days after receipt of order. Failure to enter Delivery Date may cause quotation to be REJECTED.

**Sign Here** \_\_\_\_\_  
 (Authorized Signature Mandatory – Form must be signed manually in ink or by DocuSign)

Enter Contact Information Below

**VENDOR#** 2348044  
**VENDOR:** BOO Inc. DBA Bobcat of Omaha  
**Address:** 8701 South 145th Street  
Omaha, NE 68138

**Contact** Alan Makovicka  
**Telephone** (402) 895-6660 office (402) 607-9782 cell  
**Email** alanmakovicka@bobcat-omaha.com

# State of Nebraska - INVITATION TO BID CONTRACT

<b>Date</b>	11/22/22	<b>Page</b>	2 of 3
<b>Solicitation Number</b>	6742 OF		
<b>Opening Date and Time</b>	12/13/22	2:00 pm	
<b>Buyer</b>	CHRISTIE KELLY (AS)		

**DESTINATION OF GOODS**  
DEPARTMENT OF TRANSPORTATION  
5001 S 14TH ST  
PO BOX 94759  
LINCOLN NE 68509-4759

## INVITATION

Line	Description	Quantity	Unit of Measure	Unit Price	Extended Price
	BRAND: <u>Doosan</u>				
	MODEL NAME/NUMBER: <u>JRB416 Coupler/2.5yd GP Bucket with Bolt on Edge</u>				
3	<b>QUICK ATTACH FORKLIFT ASSEMBLY</b>	5.0000	EA	<u>\$7,575.00</u>	<u>\$37,875.00</u>
	BRAND: <u>Doosan</u>				
	MODEL NAME/NUMBER: <u>60X60 Forks #7252314</u>				
4	<b>MULTI PURPOSE BUCKET</b>	5.0000	EA	<u>\$15,105.62</u>	<u>\$75,528.10</u>
	BRAND: <u>Doosan</u>				
	MODEL NAME/NUMBER: <u>2.75 yd MPBKT #7311427</u>				
5	<b>GRAPPLE FORK ATTACHMENT</b>	5.0000	EA	<u>\$9,686.96</u>	<u>\$48,434.80</u>
	BRAND: <u>Grab Tec</u>				
	MODEL NAME/NUMBER: <u>GA965</u>				
6	<b>WHEEL LOADER SCALE SYSTEM</b>	5.0000	EA	<u>\$7,086.96</u>	<u>\$35,434.80</u>
	BRAND: <u>Loup Electronics</u>				
	MODEL NAME/NUMBER: <u>8000T</u>				
7	<b>DELUXE AIR RIDE SEAT OPTION</b>	5.0000	EA	<u>Standard</u>	<u>Standard</u>
	BRAND: <u>Doosan</u>				
	MODEL NAME/NUMBER: _____				
8	<b>EXTENDED WARRANTY AFTER BASIC 1 YEAR WARRANTY AND ANY TRANSPORTATION CHARGES WITHIN THE EXTENDED WARRANTY PERIOD (DEDUCT)</b>	5.0000	EA	<u>\$0.00</u>	<u>\$0.00</u>
9	<b>TRANSPORTATION COST CHARGES FOR THE EXTENDED WARRANTY PROGRAM (NDOT WILL BE RESPONSIBLE FOR THE DELIVERY OF THE LOADER TO A REPAIR FACILITY FOR THE</b>	5.0000	EA	<u>\$0.00</u>	<u>\$0.00</u>

# State of Nebraska - INVITATION TO BID CONTRACT

<b>Date</b>	11/22/22	<b>Page</b>	3 of 3
<b>Solicitation Number</b>	6742 OF		
<b>Opening Date and Time</b>	12/13/22	2:00 pm	
<b>Buyer</b>	CHRISTIE KELLY (AS)		

**DESTINATION OF GOODS**  
DEPARTMENT OF TRANSPORTATION  
5001 S 14TH ST  
PO BOX 94759  
LINCOLN NE 68509-4759

## INVITATION

Line	Description	Quantity	Unit of Measure	Unit Price	Extended Price
	EXTENDED WARRANTY PERIOD) (DEDUCT)				
10	<b>IN CAB PRINTER FOR WHEEL LOADER SCALE SYSTEM</b>	5.0000	EA	<u>\$826.09</u>	<u>\$4,130.45</u>
	BRAND: <u>Loup Electronics</u>				
	MODEL NAME/NUMBER: <u>ICP 300</u>				
11	<b>THIRD VALVE WITH LINES TO THE FRONT OF LOADER BOOM FOR ATTACHMENTS</b>	5.0000	EA	<u>Included</u>	<u>Included</u>
	BRAND: <u>Doosan</u>				
	MODEL NAME/NUMBER: _____				
12	<b>AM/FM RADIO</b>	5.0000	EA	<u>Standard</u>	<u>Standard</u>

**ARTICULATED ALL WHEEL DRIVE LOADER  
WITH MINIMUM 2.2 CUBIC YARD BUCKET  
STATE OF NEBRASKA  
INVITATION TO BID  
NUMBER: 6742 OF**

The State of Nebraska (State), Department of Administrative Services (DAS), Materiel Division, State Purchasing Bureau (SPB), is issuing this solicitation for a commodity contract, ITB Number 6742 OF for the purpose of selecting a qualified Bidder to provide **Articulated All Wheel Drive Loader with Minimum 2.2 Cubic Yard Bucket**. More detailed descriptions can be found in Sections II through VI. The resulting contract may not be an exclusive contract as the State reserves the right to contract for the same or similar goods from other sources now or in the future.

**INFORMATION PERTINENT TO THIS SOLICITATION CAN BE FOUND ON THE INTERNET AT:**

<http://das.nebraska.gov/materiel/purchasing.html>

**PUBLIC POSTING NOTICE:**

**Pursuant to the Taxpayer Transparency Act (Neb. Rev. Stat. §§ 84-602.01 to 84-602.04) and in furtherance of public records statutes (Neb. Rev. Stat. § 84-712 et seq.), State contracts, must be posted to a public website. The resulting Contract, the ITB, and the successful Bidder's entire bid and response will be posted to a public website managed by DAS, which can be found at:**

<https://statecontracts.nebraska.gov> & [https://www.nebraska.gov/das/materiel/purchasing/contract\\_search/index.php](https://www.nebraska.gov/das/materiel/purchasing/contract_search/index.php)

**If the Bidder wishes to withhold proprietary or other commercial information from disclosure, the Bidder must do the following:**

- a. Identify the Proprietary Information;
- b. Mark the Proprietary Information; and
- c. Submit the Proprietary Information under separate cover marked clearly using an indelible method with the words **"PROPRIETARY INFORMATION"**.
- d. The mere assertion that information is Proprietary or that a speculative Business advantage might be gained is not sufficient. (See Attorney General Opinion No. 92068, April 27, 1992). **THE BIDDER MAY NOT ASSERT THAT THE ENTIRE BID IS PROPRIETARY. COST WILL NOT BE CONSIDERED PROPRIETARY AND IS A PUBLIC RECORD SUBJECT TO DISCLOSURE.**  
The State may require a Bidder to submit more information, including, but not limited to, a detailed explanation as to how and why the designated information is Proprietary.

**The State will determine, in its sole discretion, if the disclosure of the designated Proprietary Information would:**

- a. Give advantage to Business competitors; and
- b. Serve no public purpose.

Absent a determination by the State that the information may be withheld pursuant to Neb. Rev. Stat. § 84-712.05, the State will consider all information a public record subject to disclosure.

In the event that disclosure of Proprietary Information is ordered or requested, it will be the Bidder's responsibility to assert and defend the non-disclosure.

To facilitate public postings, with the exception of Proprietary Information, the State reserves a royalty-free, nonexclusive, and irrevocable right to copy, reproduce, publish, post to a website, or otherwise use any contract, bid, or response to this ITB for any purpose, and to authorize others to use the documents. Any individual or entity Awarded a contract, or who submits a bid in response to this ITB, specifically waives any Copyright or other protection the contract, bid, or response to the ITB may have; and acknowledges that they have the ability and authority to enter into such waiver. This reservation and waiver are a prerequisite for submitting a bid or response to this ITB, and Award of a contract. Failure to agree to the reservation and waiver will result in the bid being found non-responsive and rejected.

Any entity Awarded a contract or submitting a bid or response to the ITB agrees not to sue, file a claim, or make a demand of any kind, and will indemnify and hold harmless the State and its employees, volunteers, Agents, and its elected and appointed officials from and against any and all claims, liens, demands, damages, liability, actions, causes of action, losses, judgments, costs, and expenses of every nature, including investigation costs and expenses, settlement costs, and attorney fees and expenses, sustained or asserted against the State, arising out of, resulting from, or attributable to the posting of the contract or the bids and responses to the ITB, Awards, and other documents.

## TABLE OF CONTENTS

TABLE OF CONTENTS.....	ii
GLOSSARY OF TERMS.....	iv
ACRONYM LIST.....	viii
<b>I. PROCUREMENT PROCEDURE.....</b>	<b>1</b>
A. GENERAL INFORMATION.....	1
B. PROCURING OFFICE AND COMMUNICATION WITH STATE STAFF AND EVALUATORS.....	1
C. SCHEDULE OF EVENTS.....	2
D. WRITTEN QUESTIONS AND ANSWERS.....	2
E. SECRETARY OF STATE/TAX COMMISSIONER REGISTRATION REQUIREMENTS (Statutory).....	2
F. ETHICS IN PUBLIC CONTRACTING.....	2
G. DEVIATIONS FROM THE INVITATION TO BID.....	3
H. SUBMISSION OF BIDS.....	3
I. BID PREPARATION COSTS.....	4
J. FAILURE TO COMPLY WITH ITB.....	4
K. BID CORRECTIONS.....	4
L. LATE BIDS.....	4
M. BID OPENING.....	4
N. INVITATION TO BID REQUIREMENTS.....	4
O. EVALUATION OF BIDS.....	4
P. BEST AND FINAL OFFER.....	5
Q. REFERENCE AND CREDIT CHECKS.....	5
R. AWARD.....	5
S. DISCOUNTS.....	6
T. PRICES.....	6
U. SPECIFICATIONS.....	6
V. ALTERNATE/EQUIVALENT BIDS.....	6
W. "LUMP SUM" OR "ALL OR NONE" BIDS.....	7
X. BID TABULATIONS.....	7
Y. REJECTION OF BIDS.....	7
Z. RESIDENT BIDDER.....	7
<b>II. TERMS AND CONDITIONS.....</b>	<b>8</b>
A. GENERAL.....	8
B. NOTIFICATION.....	8
C. PCO REPRESENTATIVE.....	9
D. GOVERNING LAW (Statutory).....	9
E. AMENDMENT.....	9
F. SUBSTITUTIONS.....	9
G. VENDOR PERFORMANCE REPORT(S).....	10
H. NOTICE OF POTENTIAL BIDDER BREACH.....	10
I. BREACH.....	10
J. NON-WAIVER OF BREACH.....	10
K. SEVERABILITY.....	11
L. INDEMNIFICATION.....	11
M. ATTORNEY'S FEES.....	11
N. ASSIGNMENT, SALE, OR MERGER.....	11
O. CONTRACTING WITH OTHER POLITICAL SUB-DIVISIONS OF THE STATE OR ANOTHER STATE.....	12
P. FORCE MAJEURE.....	12
Q. CONFIDENTIALITY.....	12
R. EARLY TERMINATION.....	13
<b>III. BIDDER DUTIES.....</b>	<b>14</b>
A. INDEPENDENT BIDDER / OBLIGATIONS.....	14
B. EMPLOYEE WORK ELIGIBILITY STATUS.....	14
C. COMPLIANCE WITH CIVIL RIGHTS LAWS AND EQUAL OPPORTUNITY EMPLOYMENT / NONDISCRIMINATION (Statutory).....	15
D. COOPERATION WITH OTHER BIDDERS.....	15
E. COST CLARIFICATION.....	15
F. PERMITS, REGULATIONS, LAWS.....	15
G. NOTICE OF POTENTIAL BIDDER BREACH.....	15
H. ANTITRUST.....	16

I.	CONFLICT OF INTEREST .....	16
J.	STATE PROPERTY.....	16
K.	SITE RULES AND REGULATIONS.....	16
L.	ADVERTISING .....	17
M.	DISASTER RECOVERY/BACK UP PLAN.....	17
N.	DRUG POLICY .....	17
O.	WARRANTY .....	17
<b>IV.</b>	<b>PAYMENT .....</b>	<b>18</b>
A.	PROHIBITION AGAINST ADVANCE PAYMENT (Statutory).....	18
B.	TAXES (Statutory) .....	18
C.	INVOICES.....	18
D.	INSPECTION AND APPROVAL .....	18
E.	PAYMENT (Statutory).....	18
F.	LATE PAYMENT (Statutory).....	18
G.	SUBJECT TO FUNDING / FUNDING OUT CLAUSE FOR LOSS OF APPROPRIATIONS (Statutory).....	18
H.	RIGHT TO AUDIT (First Paragraph is Statutory).....	18
<b>V.</b>	<b>SCOPE OF WORK .....</b>	<b>20</b>
A.	SCOPE .....	20
<b>VI.</b>	<b>TECHNICAL SPECIFICATIONS .....</b>	<b>21</b>
A.	BIDDER INSTRUCTIONS .....	21
B.	NON-COMPLIANCE STATEMENT .....	21
C.	ENGINE .....	21
D.	DRIVE 22 .....	
E.	TIRES & WHEELS.....	22
F.	BRAKES .....	23
G.	STEERING .....	23
H.	LOADER .....	23
I.	CAB 24 .....	
J.	REQUIRED INSTRUMENTS .....	24
K.	HYDRAULIC SYSTEM .....	25
L.	COUNTERWEIGHTS .....	25
M.	GENERAL.....	25
N.	NOISE LEVEL .....	26
O.	<b>RADIO FREQUENCY SHIELDING – CAUTION!!!</b> .....	26
P.	<b>MANUALS</b> .....	27
Q.	<b>MISCELLANEOUS</b> .....	27
R.	<b>WARRANTY</b> .....	28
S.	<b>TRAINING</b> .....	29
T.	<b>SPECIFICATION FORM(S)</b> .....	29
U.	<b>QUICK HITCH WITH SPECIFIED BUCKET</b> .....	30
V.	<b>QUICK ATTACH FORKLIFT ASSEMBLY</b> .....	30
W.	<b>MULTI-PURPOSE BUCKET</b> .....	30
X.	<b>GRAPPLE FORK ATTACHMENT</b> .....	31
Y.	<b>WHEEL LOADER SCALE SYSTEM</b> .....	31
Z.	<b>ANNUAL USAGE, ESTIMATED</b> .....	32
AA.	<b>USAGE REPORT</b> .....	32
BB.	<b>DELIVERY ARO</b> .....	32
CC.	<b>DELIVERY LOCATION</b> .....	33
DD.	<b>ORDERS</b> .....	33
EE.	<b>QUALITY</b> .....	33
FF.	<b>AUTHORIZED DEALER &amp; WARRANTY</b> .....	33

## GLOSSARY OF TERMS

**Acceptance Test Procedure:** Benchmarks and other performance criteria, developed by the State or other sources of testing standards, for measuring the effectiveness of products or goods and the means used for testing such performance

**Addendum:** Something to be added or deleted to an existing document; a supplement

**Agency:** Using agencies shall mean and include all officers of the state, departments, bureaus, boards, commissions, councils, and institutions receiving legislative appropriations

**Agent/Representative:** A person authorized to act on behalf of another

**Amend:** To alter or change by adding, subtracting, or substituting

**Amendment:** A written correction or alteration to a document

**Appropriation:** Legislative authorization to expend public funds for a specific purpose. Money set apart for a specific use

**Automated Clearing House:** Electronic network for financial transactions in the United States

**Award:** All purchases, leases, or contracts which are based on competitive bids will be awarded according to the provisions in the solicitation

**Best and Final Offer:** In a competitive bid, the final offer submitted which contains bidder's most favorable terms for price

**Bid:** An offer, bid, or quote submitted by a bidder/vendor in a response to a written solicitation

**Bidder:** A bidder who submits an offer bid in response to a written solicitation

**Breach:** Violation of a contractual obligation by failing to perform or repudiation of one's own promise.

**Business:** Any corporation, partnership, individual, sole proprietorship, joint-stock company, joint venture, or any other private legal entity

**Business Day:** Any weekday, except State-recognized holidays

**Calendar Day:** Every day shown on the calendar including Saturdays, Sundays, and State/Federal holidays

**Cancellation:** To call off or revoke a bid, purchase order or contract without expectation of conducting or performing at a later time

**Collusion:** An agreement or cooperation between two (2) or more persons or entities to accomplish a fraudulent, deceitful, or unlawful purpose

**Commodities:** Any equipment, material, supply, or goods; anything movable or tangible that is provided or sold

**Commodities Description:** Detailed descriptions of the items to be purchased; may include information necessary to obtain the desired quality, type, color, size, shape, or special characteristics necessary to perform the work intended to produce the desired results

**Competition:** The effort or action of two (2) or more commercial interests to obtain the same business from third parties

**Confidential Information:** Unless otherwise defined below, "Confidential Information" shall also mean proprietary trade secrets, academic and scientific research work which is in progress and unpublished, and other information which if released would give advantage to business competitors and serve no public purpose (see Neb. Rev. Stat. §84-712.05(3)). In accordance with Nebraska Attorney General Opinions 92068 and 97033, proof that information is proprietary requires identification of specific, named competitor(s) who would be advantaged by release of the information and the specific advantage the competitor(s) would receive

**Contract:** An agreement between two or more parties creating obligations that are enforceable or otherwise recognizable at law; the writing that sets forth such an agreement

**Contract Administration:** The management of the contract which includes and is not limited to contract signing, contract amendments and any necessary legal actions

**Contract Management:** The management of day-to-day activities at the agency which includes and is not limited to ensuring deliverables are received, specifications are met, handling meetings, and making payments to the Bidder

**Contract Period:** The duration of the contract

**Contractor:** An individual or entity lawfully conducting business in the State, who seeks or agrees to provide goods or services under the terms of a written contract.

**Cooperative Purchasing:** The combining of requirements of two (2) or more political entities to obtain advantages of volume purchases, reduction in administrative expenses or other public benefits

**Copyright:** A property right in an original work of authorship fixed in any tangible medium of expression, giving the holder the exclusive right to reproduce, adapt and distribute the work

**Critical Program Error:** Any Program Error, whether or not known to the State, which prohibits or significantly impairs use of the Licensed Software as set forth in the documentation and intended in the contract

**Customer Service:** The process of ensuring customer satisfaction by providing assistance and advice on those products or goods provided by a Bidder

**Default:** The omission or failure to perform a contractual duty

**Deviation:** Any proposed change(s) or alteration(s) to either the terms and conditions or deliverables within the scope of the written solicitation or contract

**Evaluation:** The process of examining an offer after opening to determine the bidder's responsibility, responsiveness to requirements, and to ascertain other characteristics of the offer that relate to determination of the successful award

**Evaluator(s):** Individual(s) selected by the requesting Agency for the Evaluation of bids (offers made in response to written ITB's). bid

**Extension:** Continuance of a contract for a specified duration upon the agreement of the parties beyond the original Contract Period. Not to be confused with "Renewal Period"

**Free on-Board Destination:** The delivery charges are included in the quoted price and prepaid by the bidder. Bidder is responsible for all claims associated with damages during delivery of product

**Foreign Corporation:** A foreign corporation that was organized and chartered under the laws of another state, government, or country.

**Grievance:** A complaint about a governmental action or decision related to the solicitation or resultant contract, brought by a bidder who has timely submitted a bid response in connection with the award in question, to AS Materiel Division or another designated agency with the intention of achieving a remedial result

**Installation Date:** The date when the procedures described in "Installation by Bidder", and "Installation by State", as found in the solicitation, or contract are completed.

**Interested Party:** A person, acting in their personal capacity, or an entity entering into a contract or other agreement creating a legal interest therein

**Invalid Bid:** A bid that does not meet the requirements of the solicitation or cannot be evaluated against the other bids.

**Invitation to Bid:** A written solicitation utilized for obtaining competitive offers for Services or Goods

**Late Bid:** An offer received after the Opening Date and Time

**Licensed Software Documentation:** The user manuals and any other materials in any form or medium customarily provided by the Bidder to the users of the Licensed Software which will provide the State with sufficient information to operate, diagnose, and maintain the Licensed Software properly, safely, and efficiently

**Mandatory:** Required, compulsory, or obligatory

**May:** Discretionary, permitted; used to express possibility

**Module (see System):** A collection of routines and data structures that perform a specific function of software

**Must:** See "Mandatory"

**National Institute for Governmental Purchasing:** Source used for assignment of universal commodity codes to goods and services

**Non-Responsive:** Not adequately addressing or meeting the requirements contained in a request for competitive bids on a contract.

**Open Market Purchase:** Authorization may be given to an agency to purchase items above direct purchase authority due to the unique nature, price, quantity, location of the using agency, or time limitations by the AS Materiel Division, State Purchasing Bureau

**Opening Date and Time:** Specified date and time for the public opening of received, labeled, and sealed formal bids



**Operating System:** The control program in a computer that provides the interface to the computer hardware and peripheral devices, and the usage and allocation of memory resources, processor resources, input/output resources, and security resources

**Outsourcing:** The contracting out of a business process which an organization may have previously performed internally or has a new need for, to an independent organization from which the process is purchased back

**Payroll & Financial Center:** Electronic procurement system of record

**Platform:** A specific hardware and Operating System combination that is different from other hardware and Operating System combinations to the extent that a different version of the Licensed Software product is required to execute properly in the environment established by such hardware and Operating System combination

**Point of Contact:** The person designated to receive communications and to communicate

**Product:** Something that is distributed commercially for use or consumption and that is usually (1) tangible personal property, (2) the result of fabrication or processing, and (3) an item that has passed through a chain of commercial distribution before ultimate use or consumption

**Program Error:** Code in Licensed Software which produces unintended results or actions, or which produces results or actions other than those described in the specifications. A program error includes, without limitation, any Critical Program Error

**Program Set:** The group of programs and products, including the Licensed Software specified in the solicitation, plus any additional programs and products licensed by the State under the contract for use by the State

**Project:** The total scheme, program, or method worked out for the accomplishment of an objective, including all documentation, commodities, and goods to be provided under the contract

**Proposal:** See "Bid"

**Proprietary Information:** Proprietary information is defined as trade secrets, academic and scientific research work which is in progress and unpublished, and other information which if released would give advantage to business competitors and service no public purpose (see Neb. Rev. Stat. § 84-712.05(3)). In accordance with Attorney General Opinions 92068 and 97033, proof that information is proprietary requires identification of specific named competitor(s) advantaged by release of the information and the demonstrated advantage the named competitor(s) would gain by the release of information

**Protest:** See "Grievance"

**Public Bid Opening:** The process of opening correctly submitted offers at the time and place specified in the written solicitation and in the presence of anyone who wished to attend

**Quote:** See Bid

**Recommended Hardware Configuration:** The data processing hardware (including all terminals, auxiliary storage, communication, and other peripheral devices) to the extent utilized by the State as recommended by the Bidder.

**Release Date:** The date of public release of the written solicitation to seek offers

**Renewal Period:** Optional contract periods subsequent to the original Contract Period for a specified duration with previously agreed to terms and conditions. Not to be confused with Extension

**Request for Information:** A general invitation to bidder is requesting information for a potential future solicitation. The RFI is typically used as a research and information gathering tool for preparation of a solicitation

**Responsible Bidder:** A Bidder who has the capability in all respects to perform fully and lawfully all requirements with integrity and reliability to assure good faith performance

**Responsive Bidder:** A Bidder who has submitted a bid which conforms to all requirements of the solicitation document

**Shall:** See "Mandatory"

**Should:** Expected; suggested, but not necessarily mandatory

**Software License:** Legal instrument with or without printed material that governs the use or redistribution of licensed software

**Specifications:** The detailed statement, especially of the measurements, quality, materials, and functional characteristics, or other items to be provided under a contract

**Statutory:** These clauses are controlled by state law and are not subject to negotiation

**Subcontractor:** Individual or entity with whom the contractor enters a contract to perform a portion of the work awarded to the contractor

**System (see Module):** Any collection or aggregation of two (2) or more Modules that is designed to function, or is represented by the Bidder as functioning or being capable of functioning, as an entity

**Termination:** Occurs when the contract expires or either party, pursuant to a power created by agreement or law puts an end to the contract prior to the stated expiration date. All obligations which are still executory on both sides are discharged but any right based on prior breach or performance survives

**Third-Party:** Any person or entity, including but not limited to fiduciaries, shareholders, owners, officers, managers, employees, legally disinterested persons, and sub-contractors or agents, and their employees. It shall not include any entity or person who is an interested Party to the contract or agreement

**Trademark:** A word, phrase, logo, or other graphic symbol used by a manufacturer or bidder to distinguish its product from those of others, registered with the U.S. Patent and Trademark Office

**Upgrade:** Any change that improves or alters the basic function of a product of service

**Vendor Performance Report:** A report completed by the using agency and submitted to State Purchasing Bureau documenting products or services delivered or performed which exceed or fail to meet the terms of the purchase order, contract, and/or solicitation specifications.

**Vendor:** Inclusive term for any Bidder or Contractor.

**Will:** See "Mandatory"

## ACRONYM LIST

**ACH:** Automated Clearing House

**ARO:** After Receipt of Order

**AWD:** All Wheel Drive

**BAFO:** Best and Final Offer

**CY:** Cubic Yard

**DAS:** Department of Administrative Services

**FOB:** Free on Board

**ITB:** Invitation to Bid

**NDOT:** Nebraska Department of Transportation

**NIGP:** National Institute for Governmental Purchasing

**PCO:** Procurement Contracts Officer

**POC:** Point of Contact

**RFI:** Request for Information

**SPB:** State Purchasing Bureau

## I. PROCUREMENT PROCEDURE

### A. GENERAL INFORMATION

The solicitation is designed to solicit bids from qualified Bidders who will be responsible for providing **Articulated AWD Loaders with Minimum 2.2 CY Bucket** at a competitive and reasonable cost. Terms and Conditions, Project Description and Scope of Work, Bid instructions, and Bid Requirements may be found in Sections II through VI.

Bids shall conform to all instructions, conditions, and requirements included in the solicitation. Prospective Bidders are expected to carefully examine all documents, schedules, and requirements in this solicitation, and respond to each requirement in the format prescribed. Bids may be found non-responsive if they do not conform to the solicitation.

### B. PROCURING OFFICE AND COMMUNICATION WITH STATE STAFF AND EVALUATORS

Procurement responsibilities related to this solicitation reside with SPB. The POC for the procurement is as follows:

Name: Christie Kelly, PCO  
Agency: State Purchasing Bureau  
Address: 1526 K Street, Suite 130  
Lincoln, NE 68508

Telephone: 402-471-6500

E-Mail: [as.materielpurchasing@nebraska.gov](mailto:as.materielpurchasing@nebraska.gov)

From the date the solicitation is issued until the Intent to Award is issued, communication from the Bidder is limited to the POC listed above. After the Intent to Award is issued, the Bidder may communicate with individuals the State has designated as responsible for negotiating the contract on behalf of the State. No member of the State Government, employee of the State, or member of the Evaluation Committee is empowered to make binding statements regarding this solicitation. The POC will issue any answers, clarifications, or amendments regarding this solicitation in writing. Only the SPB or awarding agency can award a contract. Bidders shall not have any communication with or attempt to communicate or influence any evaluator involved in this solicitation.

The following exceptions to these restrictions are permitted:

1. Contact made pursuant to pre-existing contracts or obligations;
2. Contact required by the schedule of events, or an event scheduled later by POC; and,
3. Contact required for negotiation and execution of the final contract.

*The State reserves the right to reject a bidder's bid, withdraw an Intent to Award, or terminate a contract if the State determines there has been a violation of these procurement procedures.*

**C. SCHEDULE OF EVENTS**

The State expects to adhere to the procurement schedule shown below, but all dates are approximate and subject to change.

ACTIVITY		DATE/TIME
1.	Release ITB	November 22, 2022
2.	Last day to submit written questions. <b>Upload written questions for 6742 OF electronically via ShareFile to:</b> <a href="https://nebraska.sharefile.com/r-rd0eb2efaabfa4ddcaa8f0018120da3b1">https://nebraska.sharefile.com/r-rd0eb2efaabfa4ddcaa8f0018120da3b1</a>	November 29, 2022
3.	State responds to written questions through an Addendum to be posted to the Internet at: <a href="https://das.nebraska.gov/materiel/bidopps.html#">https://das.nebraska.gov/materiel/bidopps.html#</a>	December 6, 2022
4.	Electronic Bid Opening via Zoom Electronically submitted bids are being accepted due to the challenges of COVID-19.  <b>Upload electronic Bid submissions for 6742 OF via ShareFile to:</b>  <a href="https://nebraska.sharefile.com/r-r118a261d90c941a881e9c6e81c5f4ee6">https://nebraska.sharefile.com/r-r118a261d90c941a881e9c6e81c5f4ee6</a>  <b>Zoom Meeting Information:</b> <a href="https://us02web.zoom.us/j/7318536781?pwd=cHRFNDRjRzBwSitlVDZSQytEa2Zwdz09">https://us02web.zoom.us/j/7318536781?pwd=cHRFNDRjRzBwSitlVDZSQytEa2Zwdz09</a>  Meeting ID: 731 853 6781 Passcode: 4Gkv2t  <b>IT IS THE BIDDERS' RESPONSIBILITY TO ENSURE ALL BIDS SHALL BE SUBMITTED AND RECEIVED BY THE DATE AND TIME INDICATED IN THE SCHEDULE OF EVENTS FOR EACH BID SUBMITTED.</b>	December 13, 2022 2:00 PM Central Time

**D. WRITTEN QUESTIONS AND ANSWERS**

Questions regarding the meaning or interpretation of any solicitation provision must be submitted in writing to SPB and clearly marked "ITB Number 6742 OF; **Articulated AWD Loader with Minimum 2.2 CY Bucket. Questions**". POC is not obligated to respond to questions that are received late per the Schedule of Events.

Questions should be uploaded to ShareFile at <https://nebraska.sharefile.com/r-rd0eb2efaabfa4ddcaa8f0018120da3b1> but may also be emailed.

The Bidder Should present, as questions, any assumptions upon which the Bidder's bid is or might be developed. Bids will be evaluated without consideration of any known or unknown assumptions. The Contract will not incorporate any known or unknown assumptions.

It is recommended that questions be submitted using the following format:

Solicitation Section Reference	Solicitation Page Number	Question

Written answers will be posted at <http://das.nebraska.gov/materiel/purchasing.html> per the Schedule of Events.

**E. SECRETARY OF STATE/TAX COMMISSIONER REGISTRATION REQUIREMENTS (Statutory)**

All Bidders must be authorized to transact business in the State and comply with all Nebraska Secretary of State Registration requirements. The Bidder who is the recipient of an Intent to Award will be required to certify that it has complied and produce a true and correct copy of its current (within ninety (90) calendar days of the intent to award) Certificate or Letter of Good Standing, or in the case of a sole proprietorship, provide written documentation of sole proprietorship and the United States Citizenship Attestation Form, available on the DAS website at: <http://das.nebraska.gov/materiel/purchasing.html>. This must be accomplished prior to execution of the contract.

**F. ETHICS IN PUBLIC CONTRACTING**

The State reserves the right to reject bids, withdraw an intent to award or award, or terminate a contract if a Bidder commits or has committed ethical violations, which include, but are not limited to:

1. Offering or giving, directly or indirectly, a bribe, fee, commission, compensation, gift, gratuity, or anything of value to any person or entity in an attempt to influence the bidding process;

2. Utilize the services of lobbyists, attorneys, political activists, or consultants to influence or subvert the bidding process;
3. Being considered for, presently being, or becoming debarred, suspended, ineligible, or excluded from contracting with any state or federal entity;
4. Submitting a bid on behalf of another party or entity;
5. Collude with any person or entity to influence the bidding process, submit sham bids, preclude bidding, fix pricing or costs, create an unfair advantage, subvert the bid, or prejudice the State.

The Bidder shall include this clause in any subcontract entered into for the exclusive purpose of performing this contract.

Bidder shall have an affirmative duty to report any violations of this clause by the Bidder throughout the bidding process, and throughout the term of this contract for the successful Bidder and their subcontractors.

#### G. DEVIATIONS FROM THE INVITATION TO BID

The requirements contained in the solicitation (Sections II through VI) become a part of the terms and conditions of the contract resulting from this solicitation. Any deviations from the solicitation in Sections II through VI must be clearly defined by the Bidder in its bid and, if accepted by the State, will become part of the contract. Any specifically defined deviations must not be in conflict with the basic nature of the solicitation, solicitation requirements, or applicable state or federal laws or statutes. "Deviation", for the purposes of this solicitation, means any proposed changes or alterations to either the contractual language or deliverables within the scope of this solicitation. The State discourages deviations and reserves the right to reject proposed deviations.

#### H. SUBMISSION OF BIDS

The State is accepting electronically submitted bids for this ITB.

All bids must be received by SPB by the date and time of the Bid Opening per the Schedule of Events. It is the Bidder's responsibility to ensure timely submission and receipt and the State is not responsible for bids that are late or lost, regardless of cause or fault. No Late Bids will be evaluated.

Late Bids may be returned to the bidder if requested by the Bidder within sixty (60) Calendar days after this late bid was submitted and will at the Bidder's expense.

#### 1. ELECTRONICALLY SUBMITTING ELECTRONIC BID(S)

- a. Bidders should upload bid(s) via ShareFile to:
- b. <https://nebraska.sharefile.com/r-r118a261d90c941a881e9c6e81c5f4ee6> Each bid will have an individual ITB ShareFile link. **Bidders are to be sure to upload their Bid(s) to the correct ShareFile link listed in the bid.**
- c. Not all browsers are compatible with ShareFile. Currently Chrome, Internet Explorer and Firefox are compatible, but Microsoft Edge is not.
- d. **After the bidder clicks the bid submission link, the bidder will be prompted to enter contact information including an e-mail address so that the bidder will receive a confirmation email confirming the successful upload directly from ShareFile.**
- e. The Bidder is solely responsible for any variance between the copies submitted.
- f. If multiple bids are submitted, the State will retain only the most recently submitted response.

#### 2. OTHER BID DOCUMENTS TO UPLOAD TO SHAREFILE

- a. Any **Proprietary information** (if applicable) should be uploaded as separate and distinct files.
- b. If it is the bidder's intent to submit multiple bids, the bidder must clearly identify each submission separately (see "Electronic ITB File Names" below).
- c. It is the Bidder's responsibility to submit the Electronic Bid(s) and be received by the date and time of the Bid Opening indicated in the Schedule of Events.
- d. **No late Bids will be accepted.**
- e. **Hardware, software, internet, user, or electronic issues will not excuse a late bid.**

#### 3. ELECTRONIC ITB FILE NAMES

- a. The Bidder should clearly identify the uploaded Bid files.
- b. **Do not submit bid file(s) more than 30 days prior to the Bid Opening. Once file(s) are uploaded they are only available for 30 days.**
- c. **DO NOT ADD any language to the naming conventions below.** Long titles can make the files difficult to work with. Consistency is key.
- d. If the bidder submits the bid/bid documents as **one (1) complete packet (preferred method)**, please use the following naming convention:
  - **6742 OF Articulated AWD Loader-Min 2.2 CY Bucket <<NAME OF BIDDER>> Bid.**
- e. If the bidder submits the bid/bid documents as separate files, please use the following naming convention(s):
  - **6742 OF Articulated AWD Loader-Min 2.2 CY Bucket <<NAME OF BIDDER>> Bid.**
  - **6742 OF Articulated AWD Loader-Min 2.2 CY Bucket <<NAME OF BIDDER>> File 1, File 2, File 3, etc.....**

- f. If multiple bids are submitted for the same ITB number, follow the same naming convention as letter "e", for example:
- **6742 OF Articulated AWD Loader-Min 2.2 CY Bucket <<NAME OF BIDDER>> Bid 2, File 1, File 2, File 3, etc....**

SPB will not accept bids by email, voice, or telephone bids **except** for one-time purchases under \$50,000.00.

The ITB document must be manually signed in an indelible manner or by DocuSign and returned by the Bid Opening Date and Time along with the Bidder's bid and any other required documents as stated in the ITB document in order for the Bidder's ITB to be evaluated.

It is the responsibility of the Bidder to check the website often for all information relevant to this ITB to include Addenda and/or Amendments issued prior to the Opening Date and Time. The website address is: <https://das.nebraska.gov/materiel/bidopps.html>

Emphasis Should be concentrated on conformance to the ITB. Bids Should be clear and complete. If the bid is not presented clearly or is difficult to discern, in the sole opinion of the State, the State reserves the right to reject the bid.

By signing the Invitation to Bid, the Vendor guarantees compliance with the provisions stated in this ITB.

**I. BID PREPARATION COSTS**

The State shall not incur any liability for any costs incurred by Bidders in replying to this solicitation, including any activity related to bidding on this solicitation.

**J. FAILURE TO COMPLY WITH ITB**

Violation of the terms and conditions contained in this solicitation or any resultant contract, at any time before or after the award, shall be grounds for action by the State which may include, but is not limited to, the following:

1. Rejection of a Bidder's bid;
2. Withdrawal of the Intent to Award;
3. Withdrawal of the Award;
4. Negative Vendor Performance Report(s)
5. Termination of the resulting contract;
6. Legal action; or,
7. Suspension of the Bidder from further bidding with the State for the period of time relative to the seriousness of the violation, such period to be within the sole discretion of the State.

**K. BID CORRECTIONS**

A bidder may correct a mistake in a bid prior to the time of opening by giving written notice to the State of intent to withdraw the bid for modification or to withdraw the bid completely. Changing a bid after opening may be permitted if the change is made to correct a minor error that does not affect price, quantity, quality, delivery, or contractual conditions. In case of a mathematical error in extension of price, unit price shall govern.

**L. LATE BIDS**

Bids received after the time and date of the bid opening will be considered late bids. Late bids will be returned unopened, if requested by the Bidder and at Bidder's expense. The State is not responsible for bids that are late or lost regardless of cause or fault.

**M. BID OPENING**

Anyone may attend the Zoom Bid Opening. The PCO will read the names of the responding Bidders and allow the bids to be available for viewing by the public during the Bid Opening. Once the Bid Opening has concluded, the bids will not be available for viewing until the Intent to Award is posted. An initial bid tabulation be posted to the website as soon as feasible.

**N. INVITATION TO BID REQUIREMENTS**

The bids will first be examined to determine if all requirements listed below have been addressed and whether further evaluation is warranted. Bids not meeting the requirements may be rejected as non-responsive. The requirements are:

1. Original Commodity ITB form signed using an indelible method (electronic signatures are acceptable);
2. Clarity and responsiveness of the bid;
3. Completed Sections II through VI; and,
4. Completed ITB Form or State's Bid Sheet.

**O. EVALUATION OF BIDS**

All bids that are responsive to the solicitation will be evaluated based on the following:

**Neb. Rev. Stat. § 81-161 allows the quality of performance of previous contracts to be considered when evaluating responses to competitively bid solicitations in determining the lowest responsible bidder.** Information obtained from any

Vendor Performance Report (See Terms & Conditions, Section H) may be used in evaluating responses to solicitations for goods and services to determine the best value for the State.

**Neb. Rev. Stat. § 73-107 allows for a preference for a resident disabled veteran or business located in a designated enterprise zone.** When a state contract is to be awarded to the lowest responsible bidder, a resident disabled veteran or a business located in a designated enterprise zone under the Enterprise Zone Act shall be allowed a preference over any other resident or nonresident bidder, if all other factors are equal.

**Resident disabled veterans means any person (a) who resides in the State of Nebraska, who served in the United States Armed Forces, including any reserve component or the National Guard, who was discharged or otherwise separated with a characterization of honorable or general (under honorable conditions), and who possesses a disability rating letter issued by the United States Department of Veterans Affairs establishing a service-connected disability or a disability determination from the United States Department of Defense and (b)(i) who owns and controls a business or, in the case of a publicly owned business, more than fifty percent of the stock is owned by one or more persons described in subdivision (a) of this subsection and (ii) the management and daily business operations of the business are controlled by one or more persons described in subdivision(a) of this subsection. Any contract entered into without compliance with this section shall be null and void.**

Therefore, if a resident disabled veteran or business located in a designated enterprise zone submits a bid in accordance with Neb. Rev. Stat. §73-107 and has so indicated on the ITB cover page under "Bidder must complete the following" requesting priority/preference to be considered in the award of this contract, the following will need to be submitted by the bidder within ten (10) business days of request:

1. Documentation from the United States Armed Forces confirming service;
2. Documentation of discharge or otherwise separated characterization of honorable or general (under honorable conditions);
3. Disability rating letter issued by the United States Department of Veterans Affairs establishing a service-connected disability or a disability determination from the United States Department of Defense; and
4. Documentation which shows ownership and control of a business or, in the case of a publicly owned business, more than fifty percent of the stock is owned by one or more persons described in subdivision (a) of this subsection; and the management and daily business operations of the business are controlled by one or more persons described in subdivision (a) of this subsection.

Failure to submit the requested documentation within ten (10) business days of notice will disqualify the bidder from consideration of the preference.

**P. BEST AND FINAL OFFER**

If a BAFO is requested by the State and submitted by the bidder, they will be evaluated (using the stated BAFO criteria) and ranked by the Evaluation Committee. The State reserves the right to conduct more than one (1) BAFO. The award will then be granted to the lowest responsible bidder. However, a bidder should provide its best offer in its original bid. Bidders should not expect that the State will request a BAFO.

**Q. REFERENCE AND CREDIT CHECKS**

The State reserves the right to conduct and consider reference and credit checks.

1. The State reserves the right to use third parties to conduct reference and credit checks;
2. By submitting a bid in response to this ITB, the Bidder grants to the State the right to contact or arrange a visit in person with any and all of the Bidder's current or former clients; and,
3. Reference and credit checks may be grounds to reject a bid or withdraw an Intent to Award.

**R. AWARD**

The State reserves the right to evaluate bids and award contracts in a manner utilizing criteria selected at the State's discretion and in the State's best interest. After evaluation of the bids, or at any point in the solicitation process, the State of Nebraska may take one or more of the following actions:

1. Amend the solicitation;
2. Extend the time of or establish a new bid opening time;
3. Waive deviations or errors in the State's solicitation process and in bidder bids that are not material, do not compromise the solicitation process or a bidder's bid, and do not improve a bidder's competitive position;
4. Accept or reject a portion of or all of a bid;
5. Accept or reject all bids;
6. Withdraw the solicitation;
7. Elect to rebid the solicitation;
8. Award single lines or multiple lines to one (1) or more bidders; or,
9. Award one or more all-inclusive contracts.

The State of Nebraska may consider, but is not limited to considering, one (1) or more of the following award criteria:



1. Price;
2. Location;
3. Quality;
4. Delivery time;
5. Bidder qualifications and capabilities; and,
6. State contract management requirements and/or costs.

The ITB does not commit the State to award a contract. Once an Intent to Award decision has been determined, it will be posted to the Internet at: <https://das.nebraska.gov/materiel/bidopps.html>

Any Protests must be filed by a Bidder within ten (10) Business days after the Intent to Award decision is posted. The Grievance and Protest Procedure is available on the Internet at: <https://das.nebraska.gov/forms/index.html#mat>

**S. DISCOUNTS**

Prices quoted shall be inclusive of ALL trade discounts. Cash discount terms of less than 30 days will not be considered as part of the bid. Cash discount periods will be computed from the date of receipt of a properly executed claim voucher or the date of completion of delivery of all items in a satisfactory condition, whichever is later.

**T. PRICES**

Prices quoted shall be net, including transportation and delivery charges fully prepaid by the Vendor, and FOB Destination as named in the ITB. No additional charges will be allowed for packing, packages, or partial delivery costs. When an arithmetic error has been made in the extended total the unit price will govern.

All prices, costs, and terms and conditions submitted in the bid shall remain fixed and valid commencing on the opening date of the bid and shall remain firm for the first ninety (90) days of the contract award.

Requests for an increase must be submitted in writing to SPB a minimum of thirty (30) days prior to the end of the current Contract Period. Documentation will be required by the State to support the price increase.

**The State reserves the right to deny any requested price increase. No price increases are to be billed to the State prior to written amendment of the Contract by the parties.**

**If the Vendor requests to substitute any contracted item and the substitute meets or exceeds the original specifications, the State may accept or reject the substitution.**

**If the Vendor requests to substitute any contracted item, which meets or exceeds the original specifications, and the cost of the substitute is higher, the State may accept or reject the substitution and price change.**

If the State and the Vendor do not agree to the requested substitution and price change, the Contract may be terminated immediately by the State. In the event any product is discontinued or replaced upon mutual consent and prior to delivery during the Contract Period the State reserves the right to amend the contract or purchase order to include the alternate product.

**\*\*\*Vendor will not substitute any item that has been Awarded without prior written approval of SPB\*\*\***

**The State will be given full proportionate benefit of any decreases for the term of the contract.**

**U. SPECIFICATIONS**

Any manufacturer's names, trade names, brand names, information and/or catalog numbers listed in a specification are for reference and not intended to limit competition, but will be used as the standard by which equivalent material offered will be judged. The Materiel Administrator will be the sole judge of equivalency. The Bidder may offer any brands which meets or exceeds the specification. When a specific product is required, the solicitation will so state. Any item bid is to be the latest current model under standard production at the time of order. No used or refurbished equipment will be accepted, unless otherwise stated.

**V. ALTERNATE/EQUIVALENT BIDS**

Bidder may offer bids which are at variance from the express specifications of the solicitation. The State reserves the right to consider and accept such bids if, in the judgment of the Materiel Administrator, the bid will result in goods and/or services equivalent to or better than those which would be supplied in the original bid specifications. Bidder must indicate on the solicitation the manufacturer's name, number and shall submit with their bid, sketches, descriptive literature and/or complete specifications. Reference to literature submitted with a previous bid will not satisfy this provision. Bids which do not comply with these requirements are subject to rejection. In the absence of any stated deviation or exception, the bid will be accepted as in strict compliance with all terms, conditions and specification, and the Bidder shall be held liable, therefore.

**W. "LUMP SUM" OR "ALL OR NONE" BIDS**

The State reserves the right to purchase "item-by-item", by groups or as a total when the State may benefit by so doing. Bidders may submit a bid on an "all or none" or "lump sum" basis but should also submit a bid on an "item-by-item" basis. The term "all or none" means a conditional bid which requires the purchase of all items on which bids are offered and Bidder declines to accept award on individual items; a "lump sum" bid is one in which the Bidder offers a lower price than the sum of the individual bids if all items are purchased but agrees to deliver individual items at the prices quoted.

**"LUMP SUM" OR "ALL OR NONE" BIDS SHOULD BE CONSPICUOUSLY MARKED ON THE FIRST PAGE OF THE ITB AND BID SHEET (IF APPLICABLE)**

**X. BID TABULATIONS**

Bid tabulations are available on the website at: <https://das.nebraska.gov/materiel/bidopps.html>

**Y. REJECTION OF BIDS**

The State reserves the right to reject any or all bids, wholly or in part, in the best interest of the State.

**Z. RESIDENT BIDDER**

Pursuant to Neb. Rev. Stat. §§ 73-101.01 through 73-101.02, a Resident Bidder shall be allowed a preference against a Non-resident Bidder from a state which gives or requires a preference to Bidders from that state. The preference shall be equal to the preference given or required by the state of the Nonresident Bidders. Where the lowest responsible bid from a resident Bidder is equal in all respects to one from a nonresident Bidder from a state which has no preference law, the resident Bidder shall be awarded the contract. The provision of this preference shall not apply to any contract for any project upon which federal funds would be withheld because of the provisions of this preference.

**II. TERMS AND CONDITIONS**

Bidders should complete Section II through VI as part of their bid. Bidder is expected to read the Terms and Conditions and must initial either accept, reject, or reject and provide alternative language for each clause. The Bidder should also provide an explanation of why the Bidder rejected the clause or rejected the clause and provided alternate language using "Track Changes". Upon request an electronic copy of the bid with "Track Changes" must be submitted in an editable Word format. By signing the solicitation, Bidder is agreeing to be legally bound by all the accepted terms and conditions, and any proposed alternative terms and conditions submitted with the bid. The State reserves the right to negotiate rejected or proposed alternative language. If the State and Bidder fail to agree on the final Terms and Conditions, the State reserves the right to reject the bid. The State is soliciting bids in response to the solicitation. The State reserves the right to reject bids that attempt to substitute the Bidder's commercial contracts and/or documents for this solicitation.

The Bidder should submit with their bid any license, user agreement, service level agreement, or similar documents that the Bidder wants incorporated in the Contract. Upon notice of Intent to Award, the Bidder must submit a copy of these documents in an editable Word format. The State will not consider incorporation of any document not submitted with the Bidder's bid. These documents shall be subject to negotiation and will be incorporated as addendums if agreed to by the Parties.

If a conflict or ambiguity arises after the addendums have been negotiated and agreed to, the addendums shall be interpreted as follows:

1. If only one (1) Party's document has a particular clause, then that clause shall control;
2. If both Party's documents have a similar clause, but the clauses do not conflict, the clauses shall be read together;
3. If both Party's documents have a similar clause, but the clauses conflict, the State's clause shall control.

**A. GENERAL**

Accept (Initial)	Reject (Initial)	Reject & Provide Alternative Response (Initial)	NOTES/COMMENTS:
X			

The Contract resulting from this ITB shall incorporate the following documents:

1. Amendments/Renewals/Extensions;
2. Addendum One (1) to Contract (if applicable);
3. The executed contract signature page(s), which may include Contract deliverables and contracted pricing;
4. Bidder's submitted Bid (consisting of the ITB and other required bid documentation);
5. Addenda (Including the Questions and Answers Addendum);
6. The original ITB Document (including contract signature page(s)) and Bid Sheet (if applicable);

The above listed documents constitute the entirety of the contract.

Unless otherwise specifically stated in a future contract Amendment, in case of any conflict between the incorporated documents, the documents shall govern in the following order of preference with number one (1) receiving preference over all other documents and number six (6) having the lowest preference: 1) Amendment/Renewals/Extensions with the most recent dated Amendment/Renewal/Extension having the highest priority; 2) Addenda to the Contract after the Contract has been executed with the most recent dated Addenda having the highest priority; 3) the executed contract signature page(s), which may include Contract deliverables and contracted pricing; 4) Bidder's submitted bid (consisting of the ITB and other required bid documentation); 5) Addenda (Including the Questions and Answers Addendum); and, 6) the original ITB document (including contract signature page(s)) and Bid Sheet (if applicable).

Any ambiguity or conflict in the contract discovered after its execution, not otherwise addressed herein, shall be resolved in accordance with the rules of contract interpretation as established by the State of Nebraska.

**B. NOTIFICATION**

Accept (Initial)	Reject (Initial)	Reject & Provide Alternative Response (Initial)	NOTES/COMMENTS:
X			

Communication regarding the executed contract shall be given in writing and deemed to have been delivered via email to the specified Contract Contact information provided on the submitted ITB form with the submitted bid(s). The Vendor should send written notice to the SPB. The State will send notices to the authorized contact provided on the ITB form.

Either party may change its address for notification purposes by giving notice of the change and setting forth the new address and an effective date.

**C. PCO REPRESENTATIVE**

The State reserves the right to appoint a PCO's Representative to manage [or assist the PCO in managing] the contract on behalf of the State. The PCO's Representative will be appointed in writing, and the appointment document will specify the extent of the PCO's Representative authority and responsibilities. If a PCO's Representative is appointed, the Bidder will be provided a copy of the appointment document and is expected to cooperate accordingly with the PCO's Representative. The PCO's Representative has no authority to bind the State to a contract, amendment, addendum, or other change or addition to the contract.

**D. GOVERNING LAW (Statutory)**

Notwithstanding any other provision of this contract, or any amendment or addendum(s) entered into contemporaneously or at a later time, the parties understand and agree that, (1) the State of Nebraska is a sovereign state and its authority to contract is therefore subject to limitation by the State's Constitution, statutes, common law, and regulation; (2) this contract will be interpreted and enforced under the laws of the State of Nebraska; (3) any action to enforce the provisions of this contract must be brought in the State of Nebraska per state law; (4) the person signing this contract on behalf of the State of Nebraska does not have the authority to waive the State's sovereign immunity, statutes, common law, or regulations; (5) the indemnity, limitation of liability, remedy, and other similar provisions of the final contract, if any, are entered into subject to the State's Constitution, statutes, common law, regulations, and sovereign immunity; and, (6) all terms and conditions of the final contract, including but not limited to the clauses concerning third-party use, licenses, warranties, limitations of liability, governing law and venue, usage verification, indemnity, liability, remedy or other similar provisions of the final contract are entered into specifically subject to the State's Constitution, statutes, common law, regulations, and sovereign immunity.

The Parties must comply with all applicable local, state, and federal laws, ordinances, rules, orders, and regulations.

**E. AMENDMENT**

This Contract may be amended in writing, within scope, upon the agreement of both parties.

**F. SUBSTITUTIONS**

Accept (Initial)	Reject (Initial)	Reject & Provide Alternative Response (Initial)	NOTES/COMMENTS:
D			

The State and the Vendor, upon written agreement, may make changes to the contract within the general scope of the ITB. Changes may involve specifications, quantity of work, or other such items as the State may find necessary. Corrections of any commodity or service required pursuant to the contract shall not be deemed a change. The Vendor may not claim forfeiture of the contract by reasons of such changes.

The State shall not incur a price increase for changes that should have been included in the Vendor's Bid, were foreseeable, or result from difficulties with or failure of the Vendor's Bid or performance. The Vendor may request to substitute a similar item that meets or exceeds the original specifications. The State may accept or reject, in the sole discretion of the State, the requested substitute.

No change shall be implemented by the Vendor until approved by the State and the Contract is amended to reflect the substitution and/or change in associated costs, if any. If there is a dispute regarding the cost, but both parties agree that immediate implementation is necessary, the change may be implemented, and cost negotiations may continue with both Parties retaining all remedies under the contract and law.

In the event any product is discontinued or replaced upon mutual consent during the contract period or prior to delivery, the State reserves the right to amend the contract or purchase order to include the alternate product at the same price.

**G. VENDOR PERFORMANCE REPORT(S)**

Accept (Initial)	Reject (Initial)	Reject & Provide Alternative Response (Initial)	NOTES/COMMENTS:
			

The State may document any instance(s) of products or services delivered or performed which exceed or fail to meet the terms of the purchase order, contract, and/or solicitation specifications. The SPB may contact the Vendor regarding any such report. Vendor performance report(s) will become a part of the permanent record of the Vendor.

**H. NOTICE OF POTENTIAL BIDDER BREACH**

Accept (Initial)	Reject (Initial)	Reject & Provide Alternative Response (Initial)	NOTES/COMMENTS:
			

If Bidder breaches the contract or anticipates breaching the contract, the Bidder shall immediately give written notice to the State. The notice shall explain the breach or potential breach, a proposed cure, and may include a request for a waiver of the breach if so desired. The State may, in its discretion, temporarily or permanently waive the breach. By granting a waiver, the State does not forfeit any rights or remedies to which the State is entitled by law or equity, or pursuant to the provisions of the contract. Failure to give immediate notice, however, may be grounds for denial of any request for a waiver of a breach.

**I. BREACH**

Accept (Initial)	Reject (Initial)	Reject & Provide Alternative Response (Initial)	NOTES/COMMENTS:
			

Either Party may terminate the contract, in whole or in part, if the other Party breaches its duty to perform its obligations under the contract in a timely and proper manner. Termination requires written notice of default and a thirty (30) calendar day (or longer at the non-breaching Party's discretion considering the gravity and nature of the default) cure period. Said notice shall be delivered by Certified Mail, Return Receipt Requested, or in person with proof of delivery. Allowing time to cure a failure or breach of contract does not waive the right to immediately terminate the contract for the same or different contract breach which may occur at a different time.

In case of breach by the Bidder, the State may, without unreasonable delay, make a good faith effort to make a reasonable purchase or contract to purchased goods in substitution of those due from the bidder. The State may recover from the Bidder as damages the difference between the costs of covering the breach. Notwithstanding any clause to the contrary, the State may also recover the contract price together with any incidental or consequential damages defined in UCC Section 2-715, but less expenses saved in consequence of Bidder's breach. OR In case of default of the Bidder, the State may contract the service from other sources and hold the Bidder responsible for any excess cost occasioned thereby.

The State's failure to make payment shall not be a breach, and the Bidder shall retain all available statutory remedies. (See Indemnity - Self-Insurance and Payment)

**J. NON-WAIVER OF BREACH**

Accept (Initial)	Reject (Initial)	Reject & Provide Alternative Response (Initial)	NOTES/COMMENTS:
			


The acceptance of late performance with or without objection or reservation by a Party shall not waive any rights of the Party nor constitute a waiver of the requirement of timely performance of any obligations remaining to be performed.

**K. SEVERABILITY**

Accept (Initial)	Reject (Initial)	Reject & Provide Alternative Response (Initial)	NOTES/COMMENTS:
			

If any term or condition of the contract is declared by a court of competent jurisdiction to be illegal or in conflict with any law, the validity of the remaining terms and conditions shall not be affected, and the rights and obligations of the parties shall be construed and enforced as if the contract did not contain the provision held to be invalid or illegal.

**L. INDEMNIFICATION**

Accept (Initial)	Reject (Initial)	Reject & Provide Alternative Response (Initial)	NOTES/COMMENTS:
			


**1. GENERAL**

The Bidder agrees to defend, indemnify, and hold harmless the State and its employees, volunteers, agents, and its elected and appointed officials ("the indemnified parties") from and against any and all claims, liens, demands, damages, liability, actions, causes of action, losses, judgments, costs, and expenses of every nature, including investigation costs and expenses, settlement costs, and attorney fees and expenses ("the claims"), sustained or asserted against the State for personal injury, death, or property loss or damage, arising out of, resulting from, or attributable to the willful misconduct, negligence, error, or omission of the Bidder, its employees, Subcontractors, consultants, representatives, and agents, resulting from this contract, except to the extent such Bidder liability is attenuated by any action of the State which directly and proximately contributed to the claims.

**2. SELF-INSURANCE (Statutory)**

The State is self-insured for any loss and purchases excess insurance coverage pursuant to Neb. Rev. Stat. § 81-8,239.01 (Reissue 2008). If there is a presumed loss under the provisions of this contract, Bidder may file a claim with the Office of Risk Management pursuant to Neb. Rev. Stat. §§ 81-8,829 through 81-8,306 for review by the State Claims Board. The State retains all rights and immunities under the State Miscellaneous (Section 81-8,294), Tort (Section 81-8,209), and Contract Claim Acts (Section 81-8,302), as outlined in Neb. Rev. Stat. § 81-8,209 et seq. and under any other provisions of law and accepts liability under this contract to the extent provided by law.

**M. ATTORNEY'S FEES**

Accept (Initial)	Reject (Initial)	Reject & Provide Alternative Response (Initial)	NOTES/COMMENTS:
			

In the event of any litigation, appeal, or other legal action to enforce any provision of the contract, the Parties agree to pay all expenses of such action, as permitted by law and if ordered by the court, including attorney's fees and costs, if the other party prevails.

**N. ASSIGNMENT, SALE, OR MERGER**

Accept (Initial)	Reject (Initial)	Reject & Provide Alternative Response (Initial)	NOTES/COMMENTS:
			

Either party may assign the contract upon mutual written agreement of the other party. Such agreement shall not be unreasonably withheld. The Bidder retains the right to enter into a sale, merger, acquisition, internal reorganization, or similar transaction involving Bidder's business. Bidder agrees to cooperate with the State in executing amendments to the contract to allow for the transaction. If a third party or entity is involved in the transaction, the Bidder will remain responsible for performance

of the contract until such time as the person or entity involved in the transaction agrees in writing to be contractually bound by this contract and perform all obligations of the contract.

**O. CONTRACTING WITH OTHER POLITICAL SUB-DIVISIONS OF THE STATE OR ANOTHER STATE**

Accept (Initial)	Reject (Initial)	Reject & Provide Alternative Response (Initial)	NOTES/COMMENTS:
<i>JK</i>			

The Bidder may, but shall not be required to, allow agencies, as defined in Neb. Rev. Stat. § 81-145, to use this contract. The terms and conditions, including price, of the contract may not be amended. The State shall not be contractually obligated or liable for any contract entered into pursuant to this clause.

The Bidder may, but shall not be required to, allow other states, agencies or divisions of other states, or political subdivisions of other states to use this contract. The terms and conditions, including price, of this contract shall apply to any such contract, but may be amended upon mutual consent of the Parties. The State of Nebraska shall not be contractually or otherwise obligated or liable under any contract entered into pursuant to this clause. The State shall be notified if a contract is executed based upon this contract.

**P. FORCE MAJEURE**

Accept (Initial)	Reject (Initial)	Reject & Provide Alternative Response (Initial)	NOTES/COMMENTS:
<i>JK</i>			

Neither party shall be liable for any costs or damages, or for default resulting from its inability to perform any of its obligations under the contract due to a natural or man-made event outside the control and not the fault of the affected party ("Force Majeure Event"). The Party so affected shall immediately make a written request for relief to the other party and shall have the burden of proof to justify the request. The other Party may grant the relief requested; relief may not be unreasonably withheld. Labor disputes with the impacted party's own employees will not be considered a Force Majeure Event.

**Q. CONFIDENTIALITY**

Accept (Initial)	Reject (Initial)	Reject & Provide Alternative Response (Initial)	NOTES/COMMENTS:
<i>JK</i>			

All materials and information provided by the Parties or acquired by a Party on behalf of the other Party shall be regarded as confidential information. All materials and information provided or acquired shall be handled in accordance with federal and state law, and ethical standards. Should said confidentiality be breached by a Party, the Party shall notify the other Party immediately of said breach and take immediate corrective action.

It is incumbent upon the Parties to inform their officers and employees of the penalties for improper disclosure imposed by the Privacy Act of 1974, 5 U.S.C. 552a. Specifically, 5 U.S.C. 552a (i)(1), which is made applicable by 5 U.S.C. 552a (m)(1), provides that any officer or employee, who by virtue of his/her employment or official position has possession of or access to agency records which contain individually identifiable information, the disclosure of which is prohibited by the Privacy Act or regulations established thereunder, and who knowing that disclosure of the specific material is prohibited, willfully discloses the material in any manner to any person or agency not entitled to receive it, shall be guilty of a misdemeanor and fined not more than \$5,000.00.

**R. EARLY TERMINATION**

Accept (Initial)	Reject (Initial)	Reject & Provide Alternative Response (Initial)	NOTES/COMMENTS:
			

The contract may be terminated as follows:

1. The State and the Bidder, by mutual written agreement, may terminate the contract at any time.
2. The State, at its sole discretion, may terminate the contract for any reason upon thirty (30) calendar day's written notice to the Bidder. Such termination shall not relieve the Bidder of warranty or other service obligations incurred under the terms of the contract. In the event of termination, the Bidder shall be entitled to payment, determined on a pro rata basis, for products or services satisfactorily performed or provided.
3. The State may terminate the contract immediately for the following reasons:
  - a. if directed to do so by statute;
  - b. Bidder has made an assignment for the benefit of creditors, has admitted in writing its inability to pay debts as they mature, or has ceased operating in the normal course of business;
  - c. a trustee or receiver of the Bidder or of any substantial part of the Bidder's assets has been appointed by a court;
  - d. fraud, misappropriation, embezzlement, malfeasance, misfeasance, or illegal conduct pertaining to performance under the contract by its Bidder, its employees, officers, directors, or shareholders;
  - e. an involuntary proceeding has been commenced by any party against the Bidder under any one of the chapters of Title 11 of the United States Code and (i) the proceeding has been pending for at least sixty (60) calendar days; or (ii) the Bidder has consented, either expressly or by operation of law, to the entry of an order for relief; or (iii) the Bidder has been decreed or adjudged a debtor;
  - f. a voluntary petition has been filed by the Bidder under any of the chapters of Title 11 of the United States Code;
  - g. Bidder intentionally discloses confidential information;
  - h. Bidder has or announces it will discontinue support of the deliverable; and,
  - i. In the event funding is no longer available.



**III. BIDDER DUTIES**

**A. INDEPENDENT BIDDER / OBLIGATIONS**

Accept (Initial)	Reject (Initial)	Reject & Provide Alternative Response (Initial)	NOTES/COMMENTS:
D			

It is agreed that the Bidder is an independent bidder and that nothing contained herein is intended or should be construed as creating or establishing a relationship of employment, agency, or a partnership.

The Bidder is solely responsible for fulfilling the contract. The Bidder or the Bidder's representative shall be the sole point of contact regarding all contractual matters.

The Bidder shall secure, at its own expense, all personnel required to perform the services under the contract. The personnel the Bidder uses to fulfill the contract shall have no contractual or other legal relationship with the State; they shall not be considered employees of the State and shall not be entitled to any compensation, rights, or benefits from the State, including but not limited to, tenure rights, medical and hospital care, sick and vacation leave, severance pay, or retirement benefits.

By-name personnel commitments made in the Bidder's bid shall not be changed without the prior written approval of the State. Replacement of these personnel, if approved by the State, shall be with personnel of equal or greater ability and qualifications.

The Bidder warrants that all persons assigned to the project shall be employees of the Bidder or a Subcontractor and shall be fully qualified to perform the work required herein. Personnel employed by the Bidder or a subcontractor to fulfill the terms of the contract shall remain under the sole direction and control of the Bidder or the subcontractor respectively.

With respect to its employees, the Bidder agrees to be solely responsible for the following:

1. Any and all pay, benefits, and employment taxes and/or other payroll withholding;
2. Any and all vehicles used by the Bidder's employees, including all insurance required by state law;
3. Damages incurred by Bidder's employees within the scope of their duties under the contract;
4. Maintaining Workers' Compensation and health insurance that complies with state and federal law and submitting any reports on such insurance to the extent required by governing law;
5. Determining the hours to be worked and the duties to be performed by the Bidder's employees; and,
6. All claims on behalf of any person arising out of employment or alleged employment (including without limit claims of discrimination alleged against the Bidder, its officers, agents, or subcontractors or subcontractor's employees).

If the Bidder intends to utilize any subcontractor, the Subcontractor's level of effort, tasks, and time allocation must be clearly defined in the Bidder's bid. The Bidder shall agree that it will not utilize any Subcontractors not specifically included in its bid in the performance of the contract without the prior written authorization of the State.

The State reserves the right to require the Bidder to reassign or remove from the project any Bidder or Subcontractor employee.

Bidder shall insure that the terms and conditions contained in any contract with a sub-contractor does not conflict with the terms and conditions of this contract.

The Bidder shall include a similar provision, for the protection of the State, in the contract with any Subcontractor engaged to perform work on this contract.

**B. EMPLOYEE WORK ELIGIBILITY STATUS**

The Bidder is required and hereby agrees to use a federal immigration verification system to determine the work eligibility status of employees physically performing work within the State. A federal immigration verification system means the electronic verification of the work authorization program authorized by the Illegal Immigration Reform and Immigrant Responsibility Act of 1996, 8 U.S.C. 1324a, known as the E-Verify Program, or an equivalent federal program designated by the United States Department of Homeland Security or other federal agency authorized to verify the work eligibility status of an employee.

If the Bidder is an individual or sole proprietorship, the following applies:

1. The Bidder must complete the United States Citizenship Attestation Form, available on the DAS website at <http://das.nebraska.gov/materiel/purchasing.html>

The completed United States Attestation Form should be submitted with the solicitation response.

2. If the Bidder indicates on such attestation form that he or she is a qualified alien, the Bidder agrees to provide the U.S. Citizenship and Immigration Services documentation required to verify the Bidder's lawful presence in the United States using the Systematic Alien Verification for Entitlements (SAVE) Program.
3. The Bidder understands and agrees that lawful presence in the United States is required, and the Bidder may be disqualified, or the contract terminated if such lawful presence cannot be verified as required by Neb. Rev. Stat. § 4-108.

**C. COMPLIANCE WITH CIVIL RIGHTS LAWS AND EQUAL OPPORTUNITY EMPLOYMENT / NONDISCRIMINATION (Statutory)**

The Bidder shall comply with all applicable local, state, and federal statutes and regulations regarding civil rights laws and equal opportunity employment. The Nebraska Fair Employment Practice Act prohibits Bidders of the State, and their Subcontractors, from discriminating against any employee or applicant for employment, with respect to hire, tenure, terms, conditions, compensation, or privileges of employment because of race, color, religion, sex, disability, marital status, or national origin (Neb. Rev. Stat. §§ 48-1101 through 48-1125). The Bidder guarantees compliance with the Nebraska Fair Employment Practice Act, and breach of this provision shall be regarded as a material breach of contract. The Bidder shall insert a similar provision in all Subcontracts for goods or services to be covered by any contract resulting from this solicitation.

**D. COOPERATION WITH OTHER BIDDERS**

Accept (Initial)	Reject (Initial)	Reject & Provide Alternative Response (Initial)	NOTES/COMMENTS:
JA			

Bidder may be required to work with or in close proximity to other bidders or individuals that may be working on the same or different projects. The Bidder shall agree to cooperate with such other bidders or individuals and shall not commit or permit any act which may interfere with the performance of work by any other bidder or individual. Bidder is not required to compromise Bidder's intellectual property or proprietary information unless expressly required to do so by this contract.

**E. COST CLARIFICATION**

The State reserves the right to review all aspects of cost for reasonableness and to request clarification of any bid where the cost component shows significant and unsupported deviation from industry standards or in areas where detailed pricing is required.

**F. PERMITS, REGULATIONS, LAWS**

Accept (Initial)	Reject (Initial)	Reject & Provide Alternative Response (Initial)	NOTES/COMMENTS:
JA			

The contract price shall include the cost of all royalties, licenses, permits, and approvals, whether arising from patents, trademarks, copyrights or otherwise, that are in any way involved in the contract. The Bidder shall obtain and pay for all royalties, licenses, and permits, and approvals necessary for the performance of the contract. The Bidder must guarantee that it has the full legal right to the materials, supplies, equipment, software, and other items used to execute this contract.

**G. NOTICE OF POTENTIAL BIDDER BREACH**

Accept (Initial)	Reject (Initial)	Reject & Provide Alternative Response (Initial)	NOTES/COMMENTS:
JA			

If Bidder breaches the contract or anticipates breaching the contract the Bidder shall immediately give written notice to the State. The notice shall explain the breach or potential breach and may include a request for a waiver of the breach if so desired. The State may, at its discretion, temporarily or permanently waive the breach. By granting a temporary waiver, the State does not forfeit any rights or remedies to which the State is entitled by law or equity, or pursuant to the provisions of the contract. Failure to give immediate notice, however, may be grounds for denial of any request for a waiver of a breach.

**H. ANTITRUST**

Accept (Initial)	Reject (Initial)	Reject & Provide Alternative Response (Initial)	NOTES/COMMENTS:
<i>JA</i>			

The Bidder hereby assigns to the State any and all claims for overcharges as to goods and/or services provided in connection with this contract resulting from antitrust violations which arise under antitrust laws of the United States and the antitrust laws of the State.

**I. CONFLICT OF INTEREST**

Accept (Initial)	Reject (Initial)	Reject & Provide Alternative Response (Initial)	NOTES/COMMENTS:
<i>JA</i>			

By submitting a bid, bidder certifies that no relationship exists between the bidder and any person or entity which either is, or gives the appearance of, a conflict of interest related to this Request for Bid or project.

Bidder further certifies that bidder will not employ any individual known by bidder to have a conflict of interest nor shall bidder take any action or acquire any interest, either directly or indirectly, which will conflict in any manner or degree with the performance of its contractual obligations hereunder or which creates an actual or appearance of conflict of interest.

If there is an actual or perceived conflict of interest, bidder shall provide with its bid a full disclosure of the facts describing such actual or perceived conflict of interest and a proposed mitigation plan for consideration. The State will then consider such disclosure and proposed mitigation plan and either approve or reject as part of the overall bid evaluation.

**J. STATE PROPERTY**

Accept (Initial)	Reject (Initial)	Reject & Provide Alternative Response (Initial)	NOTES/COMMENTS:
<i>JA</i>			

The Bidder shall be responsible for the proper care and custody of any State-owned property which is furnished for the Bidder's use during the performance of the contract. The Bidder shall reimburse the State for any loss or damage of such property; normal wear and tear is expected.

**K. SITE RULES AND REGULATIONS**

Accept (Initial)	Reject (Initial)	Reject & Provide Alternative Response (Initial)	NOTES/COMMENTS:
<i>JA</i>			

The Bidder shall use its best efforts to ensure that its employees, agents, and Subcontractors comply with site rules and regulations while on State premises. If the Bidder must perform on-site work outside of the daily operational hours set forth by the State, it must make arrangements with the State to ensure access to the facility and the equipment has been arranged. No additional payment will be made by the State on the basis of lack of access, unless the State fails to provide access as agreed to in writing between the State and the Bidder.

**L. ADVERTISING**

Accept (Initial)	Reject (Initial)	Reject & Provide Alternative Response (Initial)	NOTES/COMMENTS:
<i>SP</i>			

The Bidder agrees not to refer to the contract award in advertising in such a manner as to state or imply that the company or its goods and services are endorsed or preferred by the State. Any publicity releases pertaining to the project shall not be issued without prior written approval from the State.

**M. DISASTER RECOVERY/BACK UP PLAN**

Accept (Initial)	Reject (Initial)	Reject & Provide Alternative Response (Initial)	NOTES/COMMENTS:
<i>SP</i>			

The Bidder shall have a disaster recovery and back-up plan, of which a copy should be provided upon request to the State, which includes, but is not limited to equipment, personnel, facilities, and transportation, in order to continue delivery of goods and services as specified under the specifications in the contract in the event of a disaster.

**N. DRUG POLICY**

Accept (Initial)	Reject (Initial)	Reject & Provide Alternative Response (Initial)	NOTES/COMMENTS:
<i>SP</i>			

Bidder certifies it maintains a drug free workplace environment to ensure worker safety and workplace integrity. Bidder agrees to provide a copy of its drug free workplace policy at any time upon request by the State.

**O. WARRANTY**

Accept (Initial)	Reject (Initial)	Reject & Provide Alternative Response (Initial)	NOTES/COMMENTS:
<i>SP</i>			

Despite any clause to the contrary, the Bidder represents and warrants that its services hereunder shall be performed by competent personnel and shall be of professional quality consistent with generally accepted industry standards for the performance of such services and shall comply in all respects with the requirements of this Contract. For any breach of this warranty, the Bidder shall, for a period of ninety (90) days from performance of the service, perform the services again, at no cost to Customer, or if Bidder is unable to perform the services as warranted, Bidder shall reimburse Customer the fees paid to Bidder for the unsatisfactory services. The rights and remedies of the parties under this warranty are in addition to any other rights and remedies of the parties provided by law or equity, including, without limitation actual damages, and, as applicable and awarded under the law, to a prevailing party, reasonable attorneys' fees, and costs.

**IV. PAYMENT**

**A. PROHIBITION AGAINST ADVANCE PAYMENT (Statutory)**

Neb. Rev. Stat. § 81-2403 states, “[n]o goods or services shall be deemed to be received by an agency until all such goods or services are completely delivered and finally accepted by the agency.”

**B. TAXES (Statutory)**

The State is not required to pay taxes and assumes no such liability as a result of this solicitation. The Bidder may request a copy of the Nebraska Department of Revenue, Nebraska Resale or Exempt Sale Certificate for Sales Tax Exemption, Form 13 for their records. Any property tax payable on the Bidder's equipment which may be installed in a state-owned facility is the responsibility of the Bidder.

**C. INVOICES**

Invoices for payments must be submitted by the Bidder to the agency requesting the services with sufficient detail to support payment. The terms and conditions included in the Bidder's invoice shall be deemed to be solely for the convenience of the parties. No terms or conditions of any such invoice shall be binding upon the State, and no action by the State, including without limitation the payment of any such invoice in whole or in part, shall be construed as binding or estopping the State with respect to any such term or condition, unless the invoice term or condition has been previously agreed to by the State as an amendment to the contract.

**D. INSPECTION AND APPROVAL**

Accept (Initial)	Reject (Initial)	Reject & Provide Alternative Response (Initial)	NOTES/COMMENTS:
DR			

Final inspection and approval of all work required under the contract shall be performed by the designated State officials.

The State and/or its authorized representatives shall have the right to enter any premises where the Bidder or Subcontractor duties under the contract are being performed, and to inspect, monitor or otherwise evaluate the work being performed. All inspections and evaluations shall be at reasonable times and in a manner that will not unreasonably delay work.

**E. PAYMENT (Statutory)**

Payment will be made by the responsible agency in compliance with the State of Nebraska Prompt Payment Act (See Neb. Rev. Stat. § 81-2403). The State may require the Bidder to accept payment by electronic means such as ACH deposit. In no event shall the State be responsible or liable to pay for any goods and services provided by the Bidder prior to the Effective Date of the contract, and the Bidder hereby waives any claim or cause of action for any such services.

**F. LATE PAYMENT (Statutory)**

The Bidder may charge the responsible agency interest for late payment in compliance with the State of Nebraska Prompt Payment Act (See Neb. Rev. Stat. §§ 81-2401 through 81-2408).

**G. SUBJECT TO FUNDING / FUNDING OUT CLAUSE FOR LOSS OF APPROPRIATIONS (Statutory)**

The State's obligation to pay amounts due on the Contract for a fiscal year following the current fiscal year is contingent upon legislative appropriation of funds. Should said funds not be appropriated, the State may terminate the contract with respect to those payments for the fiscal year(s) for which such funds are not appropriated. The State will give the Bidder written notice thirty (30) calendar days prior to the effective date of termination. All obligations of the State to make payments after the termination date will cease. The Bidder shall be entitled to receive just and equitable compensation for any authorized work which has been satisfactorily completed as of the termination date. In no event shall the Bidder be paid for a loss of anticipated profit.

**H. RIGHT TO AUDIT (First Paragraph is Statutory)**

The State shall have the right to audit the Bidder's performance of this contract upon a thirty (30) day written notice. Bidder shall utilize generally accepted accounting principles, and shall maintain the accounting records, and other records and information relevant to the contract (Information) to enable the State to audit the contract. (Neb. Rev. Stat. § 84-304 et seq.) The State may audit, and the Bidder shall maintain the information during the term of the contract and for a period of five (5) years after the completion of this contract or until all issues or litigation are resolved, whichever is later. The Bidder shall make the Information available to the State at Bidder's place of business or a location acceptable to both Parties during normal business hours. If this is not practical or the Bidder so elects, the Bidder may provide electronic or paper copies of the Information. The State reserves the right to examine, make copies of, and take notes on any Information relevant to this contract, regardless of the form or the Information, how it is stored, or who possesses the Information. In no circumstances will bidder be required to create or maintain documents not kept in the ordinary course of bidder's business operations, nor will bidder be required to disclose any information, including but not limited to product cost data, which is confidential or proprietary to bidder.

Accept (Initial)	Reject (Initial)	Reject & Provide Alternative Response (Initial)	NOTES/COMMENTS:
DK			

The Parties shall pay their own costs of the audit unless the audit finds a previously undisclosed overpayment by the State. If a previously undisclosed overpayment exceeds two and one-half of one percent (2.5%) of the total contract billings, or if fraud, material misrepresentations, or non-performance is discovered on the part of the Bidder, the Bidder shall reimburse the State for the total costs of the audit. Overpayments and audit costs owed to the State shall be paid within ninety (90) days of written notice of the claim. The Bidder agrees to correct any material weaknesses or condition found as a result of the audit.

## V. SCOPE OF WORK

The Bidder must provide the following information in response to this solicitation.

### A. SCOPE

It is the intent of this bid invitation to establish a contract to supply **Articulated AWD Loader with Minimum 2.2 CY Bucket** per the attached specifications from date of award for a period of One (1) year with the option to renew for an additional Four (4) One (1) year periods when mutually agreeable to the bidder and the State. The State reserves the right to extend the period of this contract beyond the end date when mutually agreeable to the bidder and the State.

All items proposed shall be of the latest manufacture in production as of the date of the solicitation and be of proven performance and under standard design complete as regularly advertised and marketed. All necessary materials for satisfactory performance of the supplies shall be incorporated into the **Articulated AWD Loader with Minimum 2.2 CY Bucket** whether or not they may be specifically mentioned below.

Complete specifications, manufacturer's current descriptive literature and/or advertising data sheets with cuts or photographs must be included with the bid for the IDENTICAL items proposed. Any information necessary to show compliance with these specifications not given on the manufacturer's descriptive literature and/or advertising data sheets must be supplied in writing on or attached to the bid document. If manufacturer's information necessary to show compliance with these specifications is not attached to the bid document, the Bidder may be required to submit requested information within three (3) business days of a written request. Failure to submit requested descriptive literature or advertising data sheets may be grounds to reject the bid.

**VI. TECHNICAL SPECIFICATIONS**

**A. BIDDER INSTRUCTIONS**

Bidder must respond to each of the following statements. Specifications listed are minimum conditions that must be met in order for a Bidder to qualify for the award.

"YES" response means the Bidder guarantees they can meet this condition.

"NO" response means the Bidder cannot meet this condition and will not be considered.

"NO & PROVIDE ALTERNATIVE" responses should be used only with a narrative response in the NOTES/COMMENTS section explaining in detail any deviation from the Bidder's ability to meet the condition, and an explanation of how this would be determined to be an acceptable alternative to meeting the condition. Alternatives must be detailed in such a way that allows such deviations to be fully evaluated. The State shall determine at its sole discretion whether or not the Bidder's alternative is an acceptable alternative.

**B. NON-COMPLIANCE STATEMENT**

YES	NO	NO & PROVIDE ALTERNATIVE	
X			1. Read these specifications carefully.
X			2. Any and all exceptions to these specifications must be written on or attached to solicitation response.
X			3. Any noncompliance may void your bid. Non-compliance to any single specification can void your bid.
X			4. It is the responsibility of Bidders to obtain information and clarifications as provided below.
X			5. The State is not responsible for any erroneous or incomplete understandings or wrongful interpretations of this solicitation by any Bidder.
<b>NOTES/COMMENTS:</b>			

**C. ENGINE**

YES	NO	NO & PROVIDE ALTERNATIVE	
X			1. Diesel engine shall be a minimum of 5.9 Liter
X			2. Engine shall have minimum of 145 net horsepower developed at SAE J1349 or ISO 9249 under standard conditions with all accessories
X			3. Cold starting aid of either glow plugs or equivalent pre-heater or ether injection of Turner LP535-1 or Equivalent with cartridge required. Specify which one in the "NOTES/COMMENTS" section below.
X			4. Manufacturer's recommended muffler, alternator, and starter.
X			5. Full flow, throw away type oil filter(s) required.
X			6. Turbo II or Centri brand pre-cleaner or Equivalent OEM supplied rotary ejection style pre-cleaner required. Dual element air filtration is preferred.
X			7. Heavy duty radiator guard and crankcase guard is desired.
X			8. Engine housing side panels or tilt hood required.



X			9. Manufacturer's recommended type antifreeze protection to no less than 34 degrees below zero Fahrenheit required.
X			10. A 120-volt AC block heater with a sturdily mounted, male receptacle with cover that is conveniently located will be furnished in all water-cooled units.
X			11. Counter-balanced rain cap for exhaust preferred. Exhaust elbow is acceptable.
X			12. Please specify the Fuel Tank capacity in the "NOTES/COMMENTS" section below.
X			13. Please specify the following:
X			a. Engine Brand: <b>Doosan</b>
X			b. Engine Model: <b>DL06</b>
X			c. Flywheel HP: <b>159.6</b>
X			d. Governed RMP: <b>2,100</b>
NOTES/COMMENTS: <b>C-3 Cold Starting Aid: Grid Heater</b> <b>C-12 62.08 gallon Fuel Tank</b>			

**D. DRIVE**

YES	NO	NO & PROVIDE ALTERNATIVE	
X			1. Torque converter/power shift with minimum three (3) speeds forward and two (2) reverse transmission. Hydrostatic transmission is also acceptable.
X			2. Inboard or outboard four (4)-wheel planetary final reduction.
X			3. Limited slip in front and/or rear differential required. Tither front or rear differential lock-up will be acceptable. Please state what is to be provided in comments.
X			4. Minimum forward travel speed will be approximately twenty (20) MPH.
NOTES/COMMENTS: <b>D-3 Limited Slip Differential</b>			

**E. TIRES & WHEELS**

YES	NO	NO & PROVIDE ALTERNATIVE	
X			1. Four (4) 20.5R25, Michelin XTLA, or 550/65R25 XTLA tubeless, steel belted radial will be furnished. Please specify brand bidding in the "NOTES/COMMENTS" section below.
NOTES/COMMENTS: <b>E-1 Michelin XTLA 20.5R25 Tires</b>			

**F. BRAKES**

YES	NO	NO & PROVIDE ALTERNATIVE	
X			1. Brakes on all four (4) wheels.
X			2. Brakes shall be boosted, full hydraulic type or air brakes. Please specify type of brakes being bid in the "NOTES/COMMENTS" section below.
N/A			3. Air dryer of equivalent moisture remover required with air brakes.
X			4. Transmission drive or internal wet disk service brakes acceptable.
X			5. Parking brake required.
<b>NOTES/COMMENTS: F-2 Outboard Hydraulic Brakes on all 4 wheels</b>			

**G. STEERING**

YES	NO	NO & PROVIDE ALTERNATIVE	
X			1. Articulated frame at wheelbase center point. Brakes on all four (4) wheels.
X			2. Turn to right and left of at least 35 degrees.
X			3. To be hydraulically assisted.
X			4. Turning radius at outside corner of bucket must not exceed 20 feet.
<b>NOTES/COMMENTS:</b>			

**H. LOADER**

YES	NO	NO & PROVIDE ALTERNATIVE	
X			1. Static full turn tipping load must be 16,500 pounds or greater.
X			2. Joystick control if available from manufacturer.
X			3. General Purpose loader bucket to be minimum 2.2 CY struck SAE rated but not more than 3 CY heaped SAE rated.
X			4. Bucket shall be minimum ninety-six inches (96") wide but not less than the overall width of the machine. Bucket shall also be less than one hundred two inches (102") overall in width.
X			5. Dump clearance at full lift with bucket at forty-five (45) degrees discharge shall be at least nine (9) feet, two inches (2").
X			6. Roll back at grade shall be minimum of thirty-eight (38) degrees.
X			7. Minimum 17,700-pound breakout force.
X			8. Digging depth of at least 1.8 inches below grade with bucket bottom approaching position parallel to grade.

X			9. Bucket level indicator or automatic pre-set to dig position and adjustable automatic lift kick out required.
X			10. Bucket shall have a bolt-on cutting edge.
X			11. Z-bar linkage or Torque parallel linkage will be furnished
X			12. Loader shall be equipped with a suspension system for the loader boom cylinders. Ride Control/Suspension System to include any accumulators, valves, hydraulic lines and/or electrical circuits as required by manufacturer.
<b>NOTES/COMMENTS: H-11 Z-bar Linkage</b>			

**I. CAB**

YES	NO	NO & PROVIDE ALTERNATIVE	
X			1. The ROPS cab shall be of steel construction.
X			2. Cab shall be fully and tightly enclosed with sound suppression.
X			3. Tinted safety glass windshield, windows and door(s) required.
X			4. Cab to be equipped with mounting ladder.
X			5. Standard AM/FM Radio Installed.
X			6. Electric windshield wipers with washers both front and rear.
X			7. Inside rear-view mirror(s) and floor mat required.
X			8. Defroster fan and heater of adequate capacity for Nebraska required.
X			9. Unit to have rearview camera installed.
X			10. Unit shall have manufacturer's factory installed air conditioning.
X			11. Loader must be able to be operated with door(s) secured open.
X			12. Padded adjustable, cloth covered suspension seat with seat belt shall be provided.
<b>NOTES/COMMENTS: I-12 Cloth Air Suspension Seat</b>			

**J. REQUIRED INSTRUMENTS**

YES	NO	NO & PROVIDE ALTERNATIVE	
N/A			1. Air pressure gauge if air brakes.
X			2. Torque converter or transmission oil temperature gauge.

X			3. Fuel gauge or indicator.
X			4. Oil pressure gauge.
X			5. Engine temperature gauge.
X			6. Voltmeter, ammeter, or warning light for the 12- or 24-volt system.
X			7. Audible and visible alarm system for high engine temperature, low oil pressure and high transmission oil temperature.
X			8. An electronic, back-up alarm meeting OSHA requirements will be provided
<b>NOTES/COMMENTS:</b>			

**K. HYDRAULIC SYSTEM**

YES	NO	NO & PROVIDE ALTERNATIVE	
X			1. Constantly driven, gear, piston or vane type pump required.
X			2. Replaceable system filter and pressure relief valve required.
X			3. System operation pressure shall not be in excess of 3,800 PSI.
X			4. Third Valve with all controls, Lines, Fittings, and couplers to front of loader boom for attachments.
<b>NOTES/COMMENTS:</b>			

**L. COUNTERWEIGHTS**

YES	NO	NO & PROVIDE ALTERNATIVE	
X			1. Standard equipment rear counterweights are required if normally furnished by manufacturer.
<b>NOTES/COMMENTS:</b>			

**M. GENERAL**

YES	NO	NO & PROVIDE ALTERNATIVE	
		X 24' 5"	1. The overall length of the loader will not be greater than twenty-four (24) feet, four (4) inches, with loader bucket level on the ground
X			2. The operation weight of loader with minimum 2.2 cubic yard bucket, ROPS cab and without optional accessories or calcium chloride in tires shall be a minimum of 24,000 pounds. Bidder should specify loader

X			weight as described with bid in pounds in the "NOTES/COMMENTS" section below.
X			3. Four (4) headlights two (2) at top of cab near corners and two (2) at bottom of cab near each side) required LED Type.
X			4. One (1) rear working light to be provided LED Type
X			5. Combination stop/taillight and horn to be furnished
X			6. Drawbar hitch with pin is required.
X			7. Turn signal and hazard flashing lights for front and rear must be furnished. LED Type
X			8. Manufacturer's front and rear fenders required.
X			9. A slow-moving vehicle emblem shall be mounted on the rear of loader and displayed as required per Nebraska Statutes.
X			10. Emblem shall be mounted so as not to restrict airflow for cooling purposes.
<b>NOTES/COMMENTS:</b> M-1 Overall Length is 24'5" M-2 29,098 pounds operating weight			

**N. NOISE LEVEL**

YES	NO	NO & PROVIDE ALTERNATIVE	
X			1. Bidders should supply with bid the following decibel level per SAE standards.
X			2. Please specify the sound exposure work cycle rating dba in the "NOTES/COMMENTS" section below.
<b>NOTES/COMMENTS:</b> N-2 70 dba cabin sound level 100 dba outside sound level			

**O. RADIO FREQUENCY SHIELDING – CAUTION!!!**

YES	NO	NO & PROVIDE ALTERNATIVE	
X			1. The loader and/or installed components and equipment shall be compatible with the use of NDOT mobile and/or two-way communication devices. Main communication radio operates in low band range of 47 MHz to 48MHz, but all frequencies apply including low band, high band, UHF, and VHF.
X			2. The loader and/or installed components and equipment shall be manufactured to meet all current SAE and/or ISO Standards applicable and/or relevant to electromagnetic compatibility.
X			3. NDOT will conduct testing of the radio/two-way when it is installed in chassis. NDOT will notify the vendor if normal operational parameters are not met due to degradation of signals caused by electromagnetic emissions from the chassis or installed components and equipment. The Vendor shall be required to work with NDOT personnel to reduce interference levels to a point acceptable to NDOT's normal radio operating parameters. The vendor shall have 30 days to resolve any radio frequency issues.

X			4. The Vendor and/or manufacturer will be responsible for any and all cost to replace and/or modify any parts found to cause radio frequency interference. If NDOT and the Vendor cannot resolve the source of the radio frequency issue the unit will be sent to an independent accredited lab for testing to ensure SAE and/or ISO Standards compliance. Testing shall be done to SAE and/or ISO Standards which are current at the date of the bid. Should the loader and/or the installed components and equipment fail testing at the accredited lab, the vendor shall be responsible for all costs incurred for testing.
X			5. If after testing by NDOT and/or accredited lab, the Vendor is unable or unwilling to incur the cost and correct the radio frequency issue to the satisfaction of NDOT, all orders and corresponding the contract will be cancelled.
<b>NOTES/COMMENTS:</b>			

**P. MANUALS**

YES	NO	NO & PROVIDE ALTERNATIVE	
X			1. An Operator's Manual should accompany each unit when delivered.
X			2. An Equipment Shop Repair Manual or CD ROM should accompany each unit when delivered.
X			a. If the Equipment Shop Repair Manual is available online the State must be able to access it free of charge for fifteen (15) years.
X			3. An Engine Shop Repair Manual or CD ROM should accompany each unit when delivered.
X			a. If the Engine Shop Repair Manual is available online the State must be able to access it free of charge for fifteen (15) years.
X			4. An Equipment Parts Manual or CD ROM should accompany each unit when delivered.
X			a. If the Equipment Parts Manual is available online the State must be able to access it free of charge for fifteen (15) years.
X			5. An Engine Parts Manual or CD ROM should accompany each unit when delivered.
X			a. If the Engine Parts Manual is available online the State must be able to access it free of charge for fifteen (1) years.
X			6. All manuals should be furnished upon delivery. Per Neb. Rev. Stat. 81-2403 Goods or service; payment in full; when required (3) "no goods or services shall be deemed to be received by an agency until all such goods or services are completely delivered and finally accepted by the agency....". Thus, payment will not be made until the unit and all required documents are received.
<b>NOTES/COMMENTS:</b>			

**Q. MISCELLANEOUS**

YES	NO	NO & PROVIDE ALTERNATIVE	
X			1. The bidder should submit with their bid a list of any special tools that will be furnished with each unit.
X			2. Dealer's decals, stickers or other signs shall not be affixed to the unit. manufacturer's nameplates, stampings and other similar signs are acceptable.

X			3. Dealer's pre-delivery service required.
		X See Notes	4. Manufacturer's standard yellow color.
			5. Prior to the award of or entering into any agreement or contract it shall be the responsibility of the manufacturer and/or the bidder to warrant to the State of Nebraska, in writing, that it has factory authorized dealers in the State of Nebraska who will provide warranty service and repair work without undue delay.
<p><b>NOTES/COMMENTS:</b> Q-4 Manufacturers Standard color is Doosan Orange, which closely matches your trucks and other equipment</p>			

**R. WARRANTY**

YES	NO	NO & PROVIDE ALTERNATIVE	
X			1. The Manufacturer's usual warranty shall apply and shall be in effect for at least one (1) year from the date the unit is placed in service by the purchasing entity. The Bidder should supply warranty information with its bid.
X			2. The Vendor shall be responsible for all repairs to include parts, labor, and machine transportation cost during the twelve (12) month usual warranty period.
X			3. The power train and engine shall be warranted for an additional five (5) years:
X			a. These guarantees are in addition to the standard twelve (12) month warrant and do not have any effect upon the standard warranty.
X			b. If the engine is not produced by the loader manufacturer, the vendor will guarantee that the engine will be repaired by a certified and registered engine warranty dealer or distributorship.
X			4. The following power train components are warranted to be free from defects in workmanship and material during the extended warranty period:
X			a. Engine (excluding radiator, alternator, starter, compressor, and other attachments)
X			b. Torque converter (if applicable), transmission.
X			c. Drive shafts and Universal joints.
X			d. Differential.
X			e. Transfer gear group.
X			f. Drive axles.
X			g. Drive pumps.
X			h. Drive motors.
X			i. Pinion and bevel gear.
X			j. Final drive gear train.
X			k. Computerized and electronic equipment.
X			5. This warranty is limited to repair or replacement (including both parts and Labor) of inspected parts determined to have been defective in material or workmanship. All extended power train warranty repairs will be performed by manufacturer's authorized service personnel. All machine transportation cost to and from the nearest authorized vendor repair facility and travel time and mileage during the extended warranty period will be responsibility of the vendor and/or manufacturer. This warranty does not apply to normal maintenance service (such as engine tune-up) or normal replacement of service or wear items.

X			6. Any oil sampling or other necessary testing needed to implement this warranty must be included in writing with this bid. The NDOT will do oil sampling if required by the manufacturer, but all materials must be furnished at no charge to the Department. A written report will be returned to NDOT if sampling is required.
X			7. This extended coverage is subject to the following conditions and limitations:
X			a. Replacement parts provided are warranted for the remainder of the extended warranty period applicable to the product in which installed.
X			b. The machine may not be altered or modified in any manner which affects the mechanical operation as designed with written permission from the NDOT.
X			8. The following limitations shall be applicable to all guarantees:
X			a. Parts ordering and machine repair requests will occur during dealer's normal working hours.
X			b. The parts and machine repair guarantees will not apply to machines which have been substantially damaged by collision, accident, flood, fire, vandalism, or similar occurrence.
X			c. The parts and machine repair guarantees will not apply to machines when delay results from strikes (dealer, supplier, or carrier), act of God or other occurrences beyond vendor's reasonable control.
X			9. If machine cannot be repaired within thirty (30) days, a comparable loaner machine will be furnished to the State of Nebraska at no cost during the warranty period.
NOTES/COMMENTS:			

**S. TRAINING**

YES	NO	NO & PROVIDE ALTERNATIVE	
X			1. Minimum of four (4) hours per loader at various locations throughout Nebraska by a factory trained representative in the operation and maintenance of loader. Fleet Management will contact the awarded bidder on schedule and places for this training.
NOTES/COMMENTS:			

**T. SPECIFICATION FORM(S)**

YES	NO	NO & PROVIDE ALTERNATIVE	
X			1. Specification form(s) will be supplied by NDOT to the awarded bidder after a purchase order has been issued. The awarded bidder will be required to complete the specification form(s) to the fullest extent possible for each unit and must accompany each unit when delivered.
X			2. If vendor does not properly complete form for each unit, Per Neb. Rev. Stat. 81-2403 Goods or service; payment in full; when required (3) "no goods or services shall be deemed to be received by an agency until all such goods or services are completely delivered and finally accepted by the agency....". Thus, payment will not be made until the unit and all required documents are received.



NOTES/COMMENTS:

**OPTIONS PAGES**

**U. QUICK HITCH WITH SPECIFIED BUCKET**

YES	NO	NO & PROVIDE ALTERNATIVE	
X			1. Quick hitch (coupler) system with bucket equivalent to bucket specified in Section VI, Subsection H-LOADER of main specifications.
X			2. The quick hitch and bucket will replace the manufacturer's loader factory bucket.
X			3. Acceptable brands are JRB, ACS or loader manufacturer's model. Please specify which brand you are bidding in the "NOTES/COMMENTS" section below.
X			4. The securing pins controls in the cab will hydraulically operate from loader's existing hydraulics.
X			5. Quick hitch and specified bucket manufacturer must recommend their unit for the loader bid.
X			6. Any operators and/or parts manuals available from manufacturer will be delivered with each unit.

NOTES/COMMENTS: U-3 JRB 416 Quick Coupler with Doosan 2.5 yd GP Bucket

**V. QUICK ATTACH FORKLIFT ASSEMBLY**

YES	NO	NO & PROVIDE ALTERNATIVE	
X			1. Forklift assembly to be quick attach style and match the quick hitch with specified bucket. Quick hitch shall be JRB, ACS or loader manufacturer OEM supplied hitch.
X			2. Carriage width to be minimum fifty-three inches (53").
X			3. Tine length to be minimum sixty inches (60").
X			4. Manually adjustable tines of two and one half inch (2.5") X six inch (6").
X			5. Minimum Load Capacity of 10,000 pounds at twenty-four-inch (24") load center.

NOTES/COMMENTS: V-2 Carriage width of 60"  
V-3 Tine length of 60"

**W. MULTI-PURPOSE BUCKET**

YES	NO	NO & PROVIDE ALTERNATIVE	
X			1. The multi-purpose bucket will replace the loader's factory furnished bucket.
X			2. The multi-purpose bucket shall be at least as heavy duty as the loader manufacturer's normally furnished bucket.

X			3. Any additional valves, hydraulics, hoses, etc. will be furnished.
X			4. Bucket manufacturer must recommend the unit for loader proposed.
X			5. Any operators and/or parts manuals available from manufacturer will be delivered with each unit.
<b>NOTES/COMMENTS:</b>			

**X. GRAPPLE FORK ATTACHMENT**

YES	NO	NO & PROVIDE ALTERNATIVE	
X			1. Grapple fork to GrabTec "GA" series or Equivalent to be mounted to bucket as specified in Section VI, Subsection H-LOADER of main specifications.
X			2. Grapple fork is to be delivered installed on the bucket. The Vendor shall be responsible for any transportation costs incurred to have the grapple fork mounted to the specified bucket.
X			3. Grapple assembly to be of a Quick Attach Style.
X			a. Install weight of grapple assembly to be minimum 1,200 pounds.
X			b. Hydraulic cylinder bore to be a minimum three inches (3").
X			c. Hydraulic hoses of adequate length with couplers shall be provided. The hoses shall be coupled to the loader's auxiliary circuit (Third Valve)
X			d. Fork teeth material to be minimum one inch (1") thick.
X			e. Teeth to be replaceable. Minimum of five (5) teeth per assembly.
X			f. Clamping force of fork assembly to be approximately 10,000 pounds rated with cylinder pressure of 3,750 psi.
X			g. Opening of forks measured from ground level to tip of teeth to be approximately eighty-six inches (86").
X			4. Any additional hydraulic valve hoses, excluding the auxiliary third valve, etc. will be furnished by the bidder..
X			5. Any operators and or parts manuals available from manufacturer will be delivered with each unit.
X			6. Attachment shall carry a one (1) year warranty to be provided by the fork manufacturer or by the vendor.
<b>NOTES/COMMENTS: X-1 GrabTec GA965 Grapple</b>			

**Y. WHEEL LOADER SCALE SYSTEM**

YES	NO	NO & PROVIDE ALTERNATIVE	
X			1. Scale system to be Loup Electronics Weighlog 8000T or Equivalent and shall be installed and calibrated on loader.
X			2. Optional in-cab printer.
X			3. Hydraulic pressure sensors.
X			4. Reference and direction sensor.

**NOTES/COMMENTS:** Y-1 Loup Electronics 8000T Scale System  
Y-2 Loup Electronics ICP 300 In cab printer

**Z. ANNUAL USAGE, ESTIMATED**

YES	NO	NO & PROVIDE ALTERNATIVE	
X			1. Annual usage figures provided are estimates and are not to be construed as either a minimum or maximum purchase quantity.
X			2. The orders shall be for the actual quantities of each item ordered by or for any agency during the life of the contract.
X			3. Bidder shall not impose minimum order requirements.
X			4. The estimated annual usage of the Articulated AWD Loader with Minimum 2.2 CY Bucket is Two (2) each.
<b>NOTES/COMMENTS:</b>			

**AA. USAGE REPORT**

YES	NO	NO & PROVIDE ALTERNATIVE	
X			1. The bidder shall, upon request at any time by the State as determined by the State, provide a usage report of this contract by state agencies and political subdivisions. Information will include, but is not limited to, agency/political subdivision name, item name, item number and dollar amount.
<b>NOTES/COMMENTS:</b>			

**BB. DELIVERY ARO**

YES	NO	NO & PROVIDE ALTERNATIVE	
		X	1. Delivery desired within ninety (90) to one-hundred twenty (120) days ARO(s).
<b>NOTES/COMMENTS:</b> BB-1 Estimated Delivery 180 days after award			

**CC. DELIVERY LOCATION**

YES	NO	NO & PROVIDE ALTERNATIVE	
X			1. NDOT 5001 S 14 <sup>th</sup> Street Lincoln, NE 68512
<b>NOTES/COMMENTS:</b>			

**DD. ORDERS**

YES	NO	NO & PROVIDE ALTERNATIVE	
X			1. Orders will be placed by e-mail. To the contractor awarded.
X			2. All orders must reference a purchase order number and
X			3. the purchase order number must be referenced on the packing slip, and invoice.
X			4. Invoices are to be sent to the "Invoice to" address on the purchase order.
<b>NOTES/COMMENTS:</b>			

**EE. QUALITY**

YES	NO	NO & PROVIDE ALTERNATIVE	
X			1. Product quality must meet specifications and be consistent for the term of the contract. All materials must be of first quality, under standard production by the manufacturer and be of standard design, complete as regularly advertised and marketed and be of proven performance.
X			2. A guarantee of satisfactory performance by the bidder and meeting delivery dates are an integral part of the purchase contract resulting from this bid.
X			3. Products are to be fully guaranteed and may be returned for full credit or replacement (at the State's option) for any reason during the initial warranty period with no additional charges for shipping or restocking.
<b>NOTES/COMMENTS:</b>			

**FF. AUTHORIZED DEALER & WARRANTY**

YES	NO	NO & PROVIDE ALTERNATIVE	
X			1. To the extent required by the manufacturer, the bidder shall be an authorized dealer. The bidder may be required to substantiate that they are an authorized dealer. Proof, if required, must be submitted to NDOT within three (3) business days of the request and prior to the award of any contract.
X			2. The terms of the original manufacturer's standard warranty shall apply to all equipment acquired from this solicitation for the entire warranty period.

X			3. Bidder shall provide with their bid a list of approved OEM service, repair & parts locations in the State of Nebraska or within a four (4) hour response time. Each location on the list shall include the name, address, phone number, and an email address
X			4. Bidder shall provide with their bid a list of known locations of OEM Trained and/or certified service technicians in the State of Nebraska or in a four (4) hour response time. Each location on the list shall include the name, address, phone number, and an email address
<p><b>NOTES/COMMENTS:</b></p>			

## Approved Doosan OEM Service, Repair and Parts Locations

Bobcat of Omaha

8701 South 145<sup>th</sup> Street

Omaha, NE 68138

(402) 895-6660

[bobcats@bobcat-omaha.com](mailto:bobcats@bobcat-omaha.com)

Central Nebraska Bobcat

3809 Westgate Road

Grand Island, NE 68803

(308) 384-9222

[rick@cnebobcat.com](mailto:rick@cnebobcat.com)

Central Nebraska Bobcat

2634 Hwy 30 East

Kearney, NE 68847

(308) 236-6003

[craig@cnebobcat.com](mailto:craig@cnebobcat.com)

Bobcat of North Platte

1916 East Walker Road

North Platte, NE 69101

(308) 330-0107

[npbobcat1@gmail.com](mailto:npbobcat1@gmail.com)

IN Process of Certification

All four of these locations have trained and certified service technicians or are in the process of getting certified

# DL 220

## WHEEL LOADER

# DOOSAN®

## TECHNICAL SPECIFICATIONS

### ENGINE

MAKE	Doosan
MODEL	DL06
NUMBER OF CYLINDERS	6
RATED POWER GROSS (HP PER SAE J1995)	160 hp (119 kW) @ 2100 rpm
RATED POWER NET (HP PER SAE J1349)	160 hp (119 kW) @ 2100 rpm
MAXIMUM TORQUE (GROSS) (SAE J1995)	543 ft.-lb. (736 Nm) @ 1400 rpm
PISTON DISPLACEMENT	360 in <sup>3</sup> (5.9 L)
BORE AND STROKE	3.9 in x 4.9 in (100 mm x 125 mm)
STARTER	24V, 8.6 hp (6.0 kW)
BATTERY (QTY 2)	2 x 12V, 100AH
ALTERNATOR	24V, 80 amp
AIR CLEANER	Double Elements

### HYDRAULICS

MAIN PUMPS	1 x 41 gpm (1 x 155 L/min)
SYSTEM PRESSURE (WORK)	3840 psi (270 kg/cm <sup>2</sup> )
SYSTEM PRESSURE (STEER)	2830 psi (199 kg/cm <sup>2</sup> )
BOOM SPEED – UP	6.2 sec
BOOM SPEED – DOWN	3.7 sec
BUCKET SPEED – CROWD	2.0 sec
BUCKET SPEED – DUMP	1.5 sec

### TRAVEL SPEEDS

TRAVEL SPEED – FORWARD (4)	4.3 / 8.0 / 15.0 / 24.2 mph (7.0 / 12.8 / 24.1 / 38.9 km/h)
TRAVEL SPEED – REVERSE (3)	4.0 / 8.1 / 12.4 / 18.6 / 24.9 mph (6.5 / 13.0 / 20.0 / 29.9 / 40 km/h)
TRAVEL SPEED – REVERSE (3)	4.6 / 8.3 / 15.7 mph (7.4 / 13.4 / 25.3 km/h)
MAXIMUM GRADE	58% (30°)

### ENVIRONMENT

SOUND LEVEL (2000/14/EC)	103 dB(A)
CABIN SOUND LEVEL (ISO 6396)	70 dB(A)



### REFILL CAPACITIES

FUEL TANK	62.1 gal. (235 L)
DEF TANK	7.9 gal. (30 L)
COOLING SYSTEM (RADIATOR CAPACITY)	9.0 gal. (34 L)
ENGINE OIL	6.5 gal. (24.5 L)
TRANSMISSION	8.5 gal. (32 L)
FRONT AXLE	6.1 gal. (23 L)
REAR AXLES	6.1 gal. (23 L)
HYDRAULIC SYSTEM	31.7 gal. (120 L)

### HYDRAULIC CYLINDERS

STEERING (2)	2.8 in. x 1.8 in. x 16.7 in. (70 mm x 45 mm x 425 mm)
LIFT ARM (2)	4.5 in. x 3.0 in. x 31.1 in. (115 mm x 75 mm x 790 mm)
BUCKET (1)	5.1 in. x 3.1 in. x 20.3 in. (130 mm x 80 mm x 515 mm)

BORE x ROD DIAMETER x STROKE

The piston rods and cylinder bodies are made of high-strength steel. A shock-absorbing mechanism is fitted in at the base and rod end of the lift and bucket cylinders and the rod end of the steering cylinders to ensure shock-free operation and extended piston life.

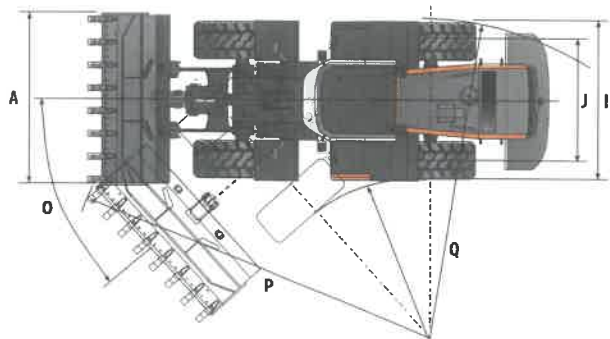
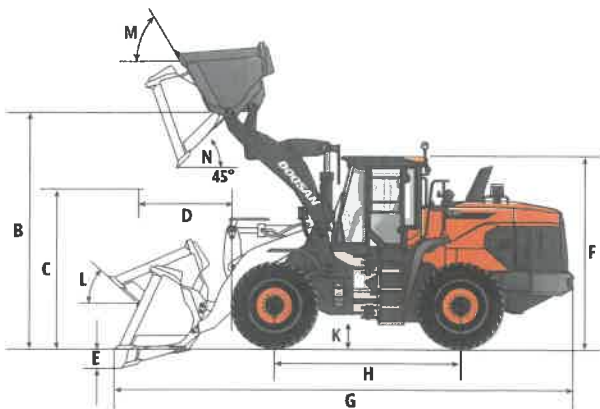
NOTE: Where applicable, dimensions are in accordance with Society of Automotive Engineers (SAE) and ISO standards. Specifications and design are subject to change without notice. Pictures of Doosan® wheel loaders may show other than standard equipment. All dimensions are shown in inches. Respective metric dimensions are enclosed by parentheses. Doosan construction equipment is manufactured with a Quality Management System that is in compliance with ISO 9001:2008. All dimensions are given for Doosan wheel loaders equipped with standard tires.

# DL 220

## DIMENSIONS

		STANDARD ARM	HIGH-LIFT
BUCKET CAPACITY, HEAPED ISO/SAE		3.0 yd <sup>3</sup> (2.3 m <sup>3</sup> )	3.0 yd <sup>3</sup> (2.3 m <sup>3</sup> )
BUCKET WIDTH	A	8' 4" (2550 mm)	8' 4" (2550 mm)
HINGE PIN HEIGHT, MAX.	B	12' 8" (3850 mm)	14' 1" (4,300 mm)
DUMP HEIGHT (45°) – FULLY RAISED	C	9' 3" (2815 mm)	10' 9" (3265 mm)
DUMP REACH (45°) – FULLY RAISED	D	3' 6" (1070 mm)	3' 4" (1025 mm)
DIGGING DEPTH	E	2" (61 mm)	5" (127 mm)
OVERALL HEIGHT, ROPS CABIN	F	10' 10" (3313 mm)	10' 10" (3313 mm)
OVERALL LENGTH	G	24' 5" (7450 mm)	25' 9" (7845 mm)
WHEEL BASE	H	10' (3050 mm)	10' (3050 mm)
WIDTH AT TIRES	I	8' 1" (2460 mm)	8' 1" (2460 mm)
TREAD WIDTH	J	6' 4" (1930 mm)	6' 4" (1930 mm)
GROUND CLEARANCE	K	1' 5" (434 mm)	1' 5" (434 mm)
MAX. TILT ANGLE ON GROUND		42°	43°
MAX. TILT ANGLE AT CARRY POSITION	L	48°	51°
MAX. TILT ANGLE AT FULLY RAISED	M	59°	61°
MAX. DUMP ANGLE AT FULLY RAISED	N	48°	45°
STEERING ANGLE, MAX.	O	40°	40°
EXTERNAL RADIUS, BUCKET EDGE	P	19' 7" (5975mm)	20' 2" (6155 mm)
EXTERNAL RADIUS, OUTSIDE TIRE	Q	17' 9" (5404 mm)	17' 9" (5404 mm)
TIRE SIZE		20.5R25 L3	20.5R25 L3
OPERATING WEIGHT		29,098 lb (13,199 kg)	29,463 lb (13,364 kg)
STATIC TIPPING LOAD (STRAIGHT)		23,210 lb (10,528 kg)	19,520 lb (8,854 kg)
STATIC TIPPING LOAD (AT FULL TURN)		20,461lb (9,281 kg)	17,207 lb (7,805 kg)
BREAKOUT FORCE		22,871 lbf (10,370 kgf)	22,975 lbf (10,421kgf)

Front Lift Arm Configuration  
 Standard: US10, US11, US15  
 High-Lift: US20, US21







# STANDARD & OPTIONAL EQUIPMENT

Standard Base Package, US10

● Standard Equipment  
 ■ Optional Equipment  
 - N/A

## ENGINE

EMISSIONS, T4 (EPA)	●
HIGH-PRESSURE COMMON RAIL (HPCR)	●
COOLED EXHAUST GAS RECIRCULATION (CEGR)	●
DIESEL OXIDATION CATALYST (DOC)	●
SELECTIVE CATALYST REDUCTION (SCR)	●
DIESEL EXHAUST FLUID (DEF)	●
FUEL FILTER WITH WATER SEPARATOR	●
COOLANT RECOVERY TANK	●
DUAL ELEMENT DRY-TYPE AIR FILTER WITH EVACUATOR	●
PRE-CLEANER	●
ELECTRONIC ENGINE CONTROL (ECU)	●
AUTO-IDLE (WORKING TO STANDBY)	●
AUTO-SHUTDOWN (TIME ADJUSTABLE)	●
OVERHEAT & LOW OIL PRESSURE ENGINE PROTECTION	●
COOLING FAN – RADIATOR, VARIABLE SPEED	●
COOLING FAN – RADIATOR, AUTOMATIC REVERSIBLE	●
REMOTE DRAIN PORT – ENGINE OIL	●
BLOCK HEATER (110V)	■
<b>HYDRAULIC</b>	
VARIABLE DISPLACEMENT AXIAL PISTON PUMP	●
CLOSED-CENTER SYSTEM	●
MAIN CONTROL VALVES – PILOT	●
REMOTE TEST PORTS	●
REMOTE DRAIN PORT – HYDRAULIC OIL	●
SPRING APPLIED HYDRAULIC RELEASE BRAKE	●
AUXILIARY HYDRAULICS (3RD VALVE)	●
AUXILIARY HYDRAULICS (4TH VALVE)	■
AUTOMATIC BOOM/LIFT KICK-OUT, ADJUSTABLE (IN CAB)	●
AUTOMATIC RETURN-TO-DIG POSITION, ADJUSTABLE	●
BOOM FLOAT	●
LOAD ISOLATION SYSTEM	■
<b>CABIN</b>	
STEEL, ALL-WEATHER & SOUND-SUPPRESSED	●
ROPS (ISO 3471)	●
FOPS (ISO 3449 LEVEL II)	●
FRONT WINDOW WITH WIPER/WASHER	●
REAR WINDOW WITH WIPER	●
TINTED SAFETY GLASS	●
VISOR, RETRACTABLE	●
ADJUSTABLE SLIDING SIDE DOOR WINDOW	●

## CABIN (CONTINUED)

DEFROST, FRONT WINDOW	●
LOCKABLE DOORS	●
SEAT - AIR SUSPENSION - 2" (51 MM) SEAT BELT - ADJUSTABLE HEIGHT & RECLINE - ADJUSTABLE FORE/AFT - ADJUSTABLE ARMRESTS	●
SEAT, HEATED	■
CONTROL STANDS - HEIGHT ADJUSTABLE - FORE/AFT ADJUSTABLE	●
STORAGE FOR OPERATOR'S MANUALS	●
MIRROR, INTERIOR REAR VIEW (1)	●
MIRROR, EXTERIOR (2) HEATED	●
MIRROR, EXTERIOR (2) HEATED - ELECTRONIC ADJUSTABLE	■
FULLY AUTOMATIC HVAC WITH AMBIENT TEMPERATURE SENSOR	●
DOOSAN SMART TOUCH DISPLAY - 8" TOUCH-ENABLED - ADJUSTABLE HEIGHT & ANGLE	●
DOOSAN TRANSPARENT BUCKET - MULTI-CAMERA SYSTEM & CONTROLLER - IN-CAB DISPLAY	■
AM/FM STEREO WITH HANDSFREE/BLUETOOTH™	●
SPEAKERS (2)	●
ANTENNA, ROOF-MOUNTED	●
EMERGENCY BREAKOUT TOOL	●
HOT/COLD BEVERAGE COMPARTMENT	●
POWER SOCKET, 12V	●
POWER SOCKET, USB	●
BEVERAGE HOLDER	●
INTERIOR LIGHT	●
COAT HANGER	●
<b>ELECTRICAL</b>	
SYSTEM VOLTAGE – 24V	●
ALTERNATOR – 24V, 80 AMP	●
2 X 12V BATTERIES, 10D AH RESERVE CAPACITY, 900 CCA	●
BLADE-TYPE FUSE PANEL	●
MAIN CIRCUIT BREAKER	●
LIGHTS, WORK (LED): FRONT (2), REAR (2)	●
LIGHTS, WORK (LED): FRONT (4), REAR (4)	■
LIGHTS, WORK (LED): FRONT (6), REAR (6)	■
LIGHTS, HEADLIGHTS (HALOGEN) - HI/LO BEAMS (2)	●
LIGHTS, STOP, TAIL & DIRECTION INDICATORS	●
HORN	●
ROTATING BEACON	●
HOUR METER	●
ENGINE RESTART PREVENTION SYSTEM	●
REARVIEW CAMERA	●
LAPTOP SERVICE PORT	●
SELF-DIAGNOSTICS SYSTEM	●

## DISPLAY MONITOR & WARNINGS

BUZZER - ENGINE OIL PRESSURE - COOLANT TEMPERATURE - TRANSMISSION OVERHEAT	●
GAUGES - FUEL LEVEL - DEF LEVEL - ENGINE COOLANT TEMPERATURE - TRANSMISSION OIL TEMPERATURE - ENGINE RPM - SPEEDOMETER - TRANSMISSION GEAR INDICATOR - BATTERY VOLTAGE - ECO - DOOSAN SMART GUIDANCE SYSTEM - DIGITAL CLOCK - TRIP METER - HOUR METER - TOTAL OPERATION TIME - FUEL CONSUMPTION	●
WARNING & INDICATOR LIGHTS - SEAT BELT - ERROR CODE - SCR WARNING - CHECK ENGINE - ENGINE OIL PRESSURE - ENGINE PRE-HEAT ENGAGED - RADIATOR COOLANT LEVEL & TEMPERATURE - AIR FILTER - FUEL LEVEL - DEF LEVEL - LOW - WATER IN FUEL - BATTERY CHARGE - LIGHTS (HIGH, MAIN, WORK, BEACON) - DIRECTION SIGNAL - EMERGENCY STEERING - HYDRAULIC OIL TEMPERATURE - HYDRAULIC CHARGE PRESSURE WARNING - HYDRAULIC PILOT FILTER - HYDRAULIC RETURN FILTER - TRANSMISSION MODE - TRANSMISSION WARNING - TRANSMISSION LOCK-UP - TRANSMISSION OIL TEMP - TRANSMISSION GEAR INDICATOR - BRAKE FLUID PRESSURE WARNING - REVERSE FAN INDICATOR - MIRROR HEAT INDICATOR - PARKING BRAKE INDICATOR	●
BACK-UP ALARM	●
SCALE SYSTEM, DOOSAN INTEGRATED SMART SCALE	■
SCALE SYSTEM, LOADRITE® SCALE	■
<b>CONTROLS</b>	
ADJUSTABLE STEERING COLUMN - TILTING - TELESCOPING	●
EMERGENCY STEERING	■
THROTTLE PEDAL (ACCELERATOR)	●
BRAKE PEDAL, RIGHT	●
BRAKE PEDAL, LEFT	■
INTELLIGENT CLUTCH CUT-OFF	●
GEAR SELECTOR (FNR)	●
JOYSTICK CONTROL	●
FINGERTIP CONTROL (3-LEVER)	■
SWITCHES, CONSOLE-MOUNTED - STARTER (BUTTON) - PARKING BRAKE - PILOT CUTOFF - TRANSMISSION CUTOFF - WORK LIGHT - REVERSIBLE COOLING FAN	●
EMERGENCY STOP SWITCH	●
POWER MODE (P, S, E)	●
TRANSMISSION MODE	●
WIPER CONTROL PANEL	●
AUDIO CONTROL PANEL	●

## FRAME & DRIVELINE

Z-BAR LIFT ARM	●
Z-BAR LIFT ARM, HIGH-LIFT	■
STEERING CYLINDER, DOUBLE-ACTING (2)	●
TRANSMISSION - 4F / 3R SPEED - FULL AUTOMATIC POWER SHIFT - TORQUE CONVERTER	●
TRANSMISSION - 5F / 3R SPEED - AUTOMATIC - POWER SHIFT - TORQUE CONVERTER LOCK-UP CLUTCH	■
DIFFERENTIALS - LIMITED SLIP FRONT - LIMITED SLIP REAR	●
DIFFERENTIALS - HYDRAULIC LOCKING FRONT - OPEN REAR	■
HYDRAULIC POWER STEERING	●
OUTBOARD PLANETARY AXLES	●
OUTBOARD PLANETARY AXLES – HEAVY-DUTY	-
FIXED FRONT AXLE	●
OSCILLATING REAR AXLE	●
PARKING BRAKE, SPRING-APPLIED HYDRAULIC RELEASE	●
SEALED, SELF-ADJUSTING BRAKES	●
TIRES, 20.5R25 L3 RADIAL	●
TIRES, 20.5R25 L3 MICH XHATZ	■
TIRES, 23.5R 25 BRIDGESTON VIT L3 BIAS	■

## OTHER

CENTRALIZED LUBRICATION	●
AIR COMPRESSOR	■
HANDRAILS, ENTRANCE & SERVICE STEPS	●
HANDRAILS, ROOF-MOUNTED	■
ROOF COVER	■
SKID-RESISTANT ENTRANCE STEPS	●
SKID-RESISTANT SERVICE PLATFORMS	●
DRAWBAR AND PIN	●
WHEEL CHOCKS	●
REAR FENDER, FULL	■
ADDITIONAL COUNTERWEIGHT	■
MANUALS - OPERATION & MAINTENANCE - PARTS - AEM SAFETY MANUAL	●
DOOSANCONNECT® - FREE MONITORING - NO CONTRACT OR FEES	●
VANDALISM PROTECTION - LOCKABLE PANELS - LOCKABLE FLUID FILL POINTS - ANTI-THEFT PROTECTION (PASSWORD)	●

1 Dealer-Installed Only  
 2 Standard on High-Lift Models